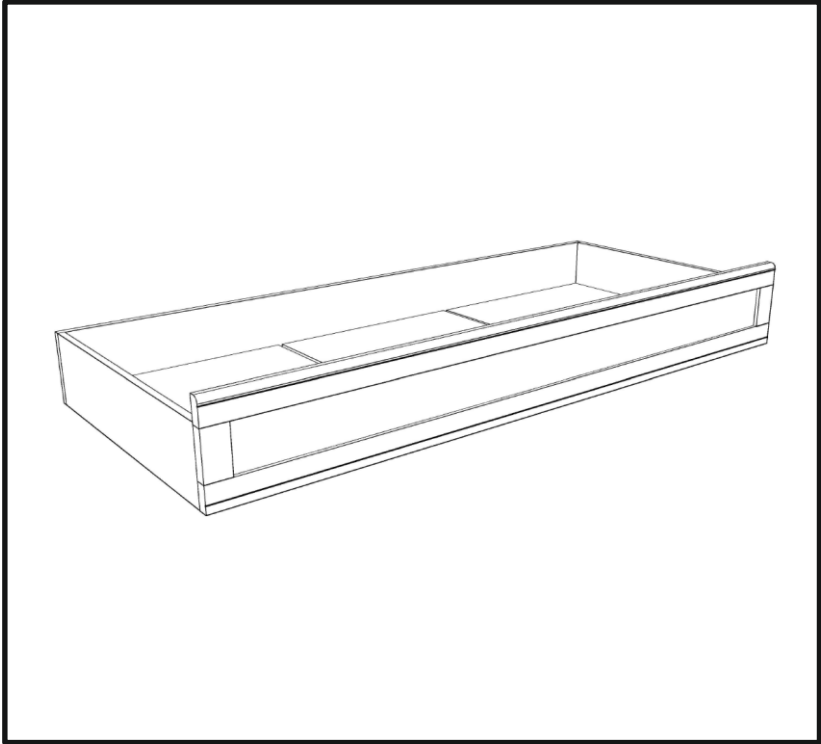


Little Folks

- FURNITURE -



Bowood Trundle Bed

Code: TDL004

PLEASE READ CAREFULLY & KEEP FOR FUTURE REFERENCE

Thank you for buying a **Little Folks** piece of furniture

Treated properly it should be a faithful servant for years - and we hope you get the same amount of pleasure from it. Before you do

- please take a few minutes to read these instructions
- we suggest you carefully unpack everything, lay it out on a clean, flat floor and identify everything on the parts list in these instructions. Do not throw away any packaging until you are sure you have all the parts.

If you have any problems assembling the product please call our customer services on 01985 300588 and we will try and help. If for any reason you wish to return the product, you must disassemble the product and pack in the original packaging.

Taking care of your product

Your furniture should require no more than a regular dust off with a soft cloth. If the furniture is not painted then a superior wood polish can be used - but never use polishes containing silicone.

If necessary it can be cleaned with a damp cloth with a mild detergent solution - and then dried with a lint-free cloth. Never clean with abrasives or chemical cleaners.

Direct sunlight or heat from a radiator can stain, discolour warp or crack furniture.

We know furniture can be heavy but try not to drag furniture across the floor as this can damage it.

PRODUCT SAFETY

The recommended size of the mattress is 183cm x 76cm (6' x 2'6) with a maximum thickness of 15cm

Periodically check that all assembly fixings are tightened properly, care should be taken to ensure that no fittings are loose.

Always follow the manufacture`s instructions.

Please ensure that good ventilation is maintained within the room in order to keep humidity low and to prevent mould in and around the bed;

WARNING Do not place this child`s bed near heat sources, windows and other furniture.

WARNING Do not use this child`s bed if any part is broken, torn or missing.

WARNING Hole covers Not suitable for children under 36 months due to choking hazard.

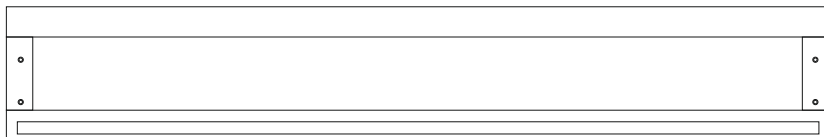
The bed can be dismantled for storage or transportation.

Children are likely to play, bounce, jump and climb on beds, therefore the child`s bed should not be placed too close to other furniture or windows, blind cords, curtain pulls or other strings or cords and should be placed either tight to any wall or have a gap of 300mm between the wall and the side of the bed.

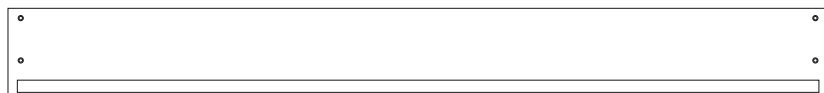
Additional or replacement parts should be obtained from Little Folks Furniture.

If you have any problems please do contact us for help on email customerservices@littlefolksfurniture.co.uk or phone our **CUSTOMER SERVICES 01985 300588**

Parts list



1x Front Panel



1x Rear Panel



2 x Sides



3 x bases

Fittings

16 x Fat Screws



8 x Short Bolts



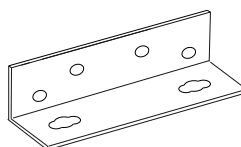
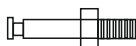
12 x Screws



4 x Rubber buffers



4x Castor Pins



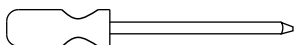
4x Brackets

4x Castors

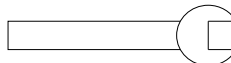


Tools Req

Screwdriver



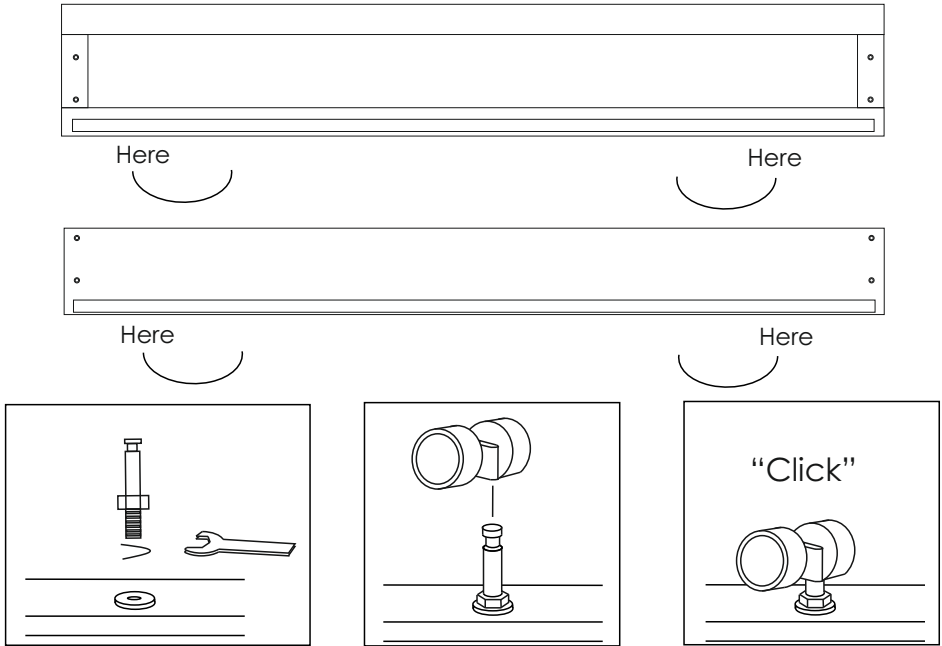
Spanner (supplied)



Fit the Castors

4 x castor pins, 4 x castors and the spanner.

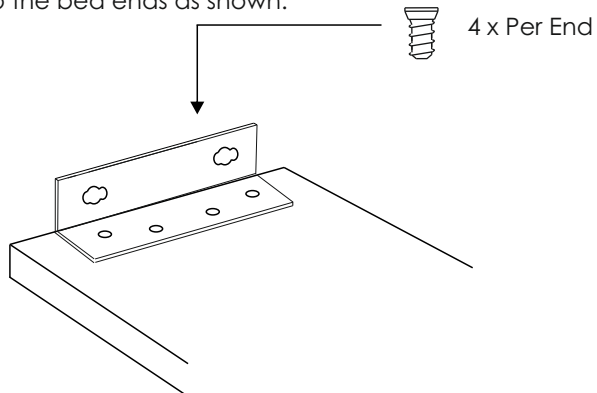
Screw the castor pins into the metal bushes that are fitted to the parts as shown. Once fully rotated into the bush, tighten with the spanner supplied. Now carefully push the wheeled castor onto the castor pin, you should hear a “click” when fully engaged.



Fit the Brackets

16 x Fat screws and 4 x bed brackets

Screw the Brackets to the bed ends as shown.



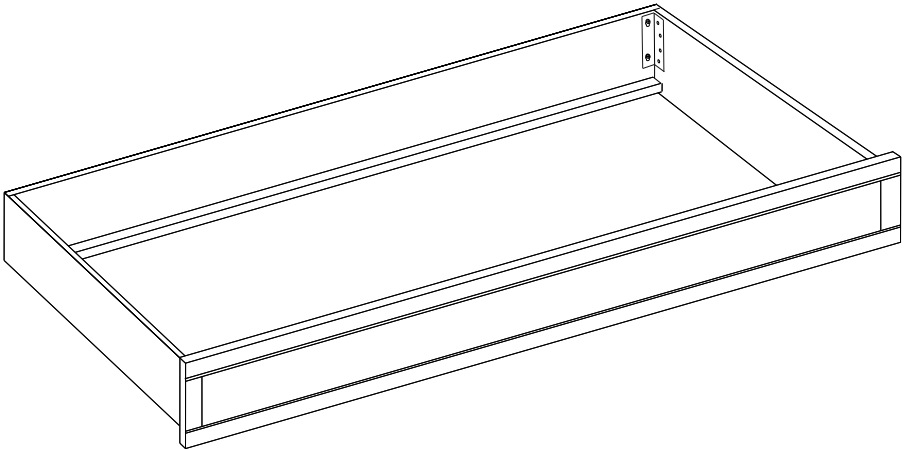
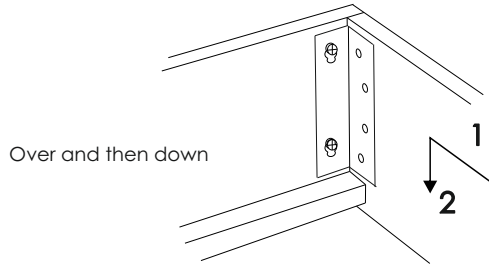
Make the bed

8 x short bolts

Insert the short bolts into the 8 metal fittings in both the front panel and rear panel, rotating them in about halfway. Orientate the parts so that the front panel is opposite the rear panel and with a side panel at each end of the bed.

Starting at one front bed corner, slip one side panel bracket over the two short bolt heads fitted in the front panel, once over the bolt heads, let the bracket drop down onto the two bolt shafts, rotate and tighten both bolts onto the bracket. Repeat the same process on the remaining three corners.

Note; the end panels are orientated so that the bracket is nearer to the top edge of the part.

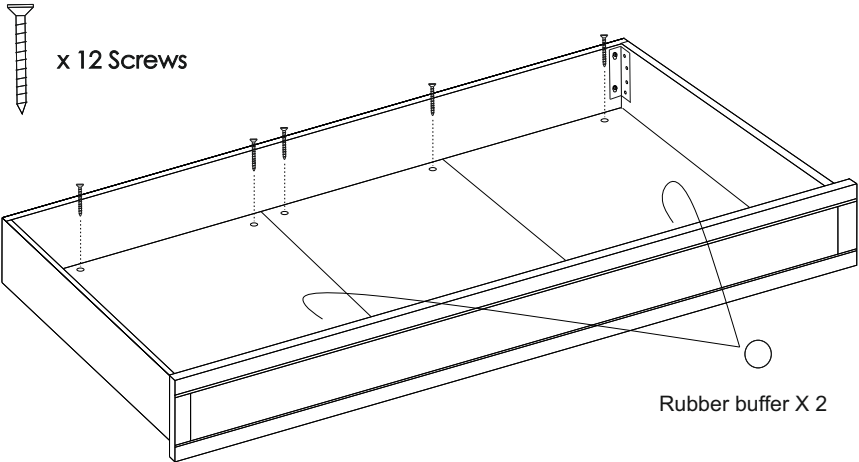


Completed Bed Frame with ALL four corners made.

Fixing the base

12 x Wood screws

Drop the 3 x base boards into the bed and arrange so that the gaps between these parts are roughly equal. Now simply screw down each board until secure.

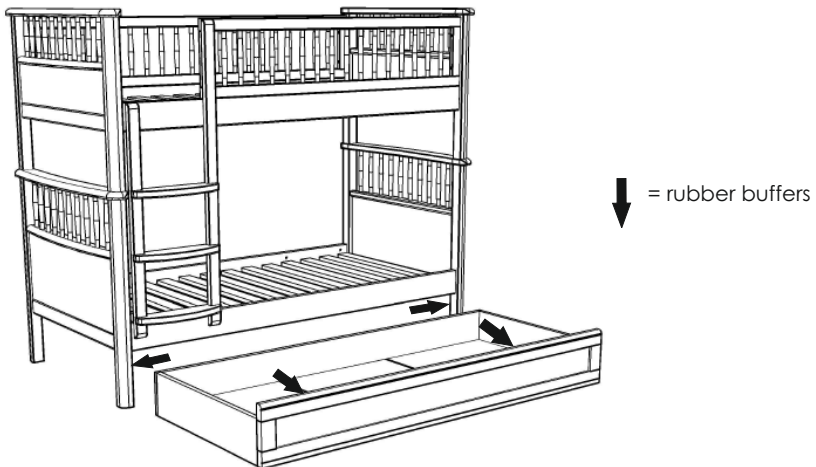


Fitting the rubber buffers

Fit 2 x rubber buffers to the inside of the trundle front, this will help protect the paintwork of your products. (Closing the trundle onto the bed mattress rail)

Lay the mattress within the trundle and on the top of the base, or use the product as a storage drawer.

Push the trundle under the upper bed being aware of the gaps around the bed.



Fit 2 x rubber buffers to the inside of the upper bed legs as this can help to protect the paint work on the bed and trundle sides.

PRODUCT SAFETY

The recommended size of the mattress is 183cm x 76cm (6' x 2'6) with a maximum thickness of 15cm

Periodically check that all assembly fixings are tightened properly, care should be taken to ensure that no fittings are loose.

Always follow the manufacturer's instructions.

Please ensure that good ventilation is maintained within the room in order to keep humidity low and to prevent mould in and around the bed;

WARNING Do not place this child's bed near heat sources, windows and other furniture.

WARNING Do not use this child's bed if any part is broken, torn or missing.

WARNING Hole covers Not suitable for children under 36 months due to choking hazard.

The bed can be dismantled for storage or transportation.

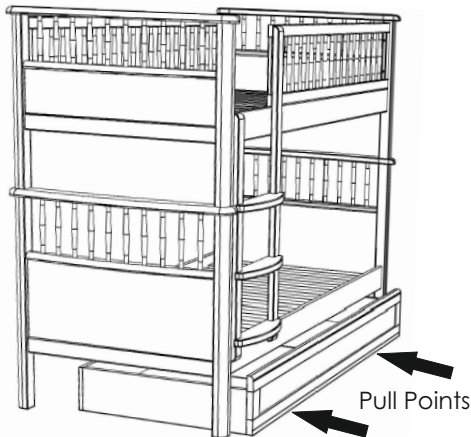
Children are likely to play, bounce, jump and climb on beds, therefore the child's bed should not be placed too close to other furniture or windows, blind cords, curtain pulls or other strings or cords and should be placed either tight to any wall or have a gap of 300mm between the wall and the side of the bed.

Additional or replacement parts should be obtained from Little Folks Furniture.

Using the bed

The trundle bed is made to a size that fits beneath an upper bed with its access along the long side and closes on to the mattress side rail. We recommend that the lower bottom edge of the trundle bed front is used as the handle, gripping the trundle front roughly a shoulders width apart and pulling perpendicular to the main bed. Care should be taken not to trap fingers or limbs between the trundle bed and the main bed frame when moving the trundle bed.

The trundle bed is designed to be used at ground level and with all four castor wheels in contact with the floor. The four castors are multi-directional which means you can move the bed in all directions, taking care not to twist or impact the bed during movement.



Using the trundle bed for sleeping.

The trundle bed may move in use if positioned on flooring like LVT, solid wood, or smooth surfaces. Castor cups may help to secure / steady the bed, gently place one cup under each castor wheel.

Castor cups vary depending on the flooring type used and can be purchased from good hardware stores.

