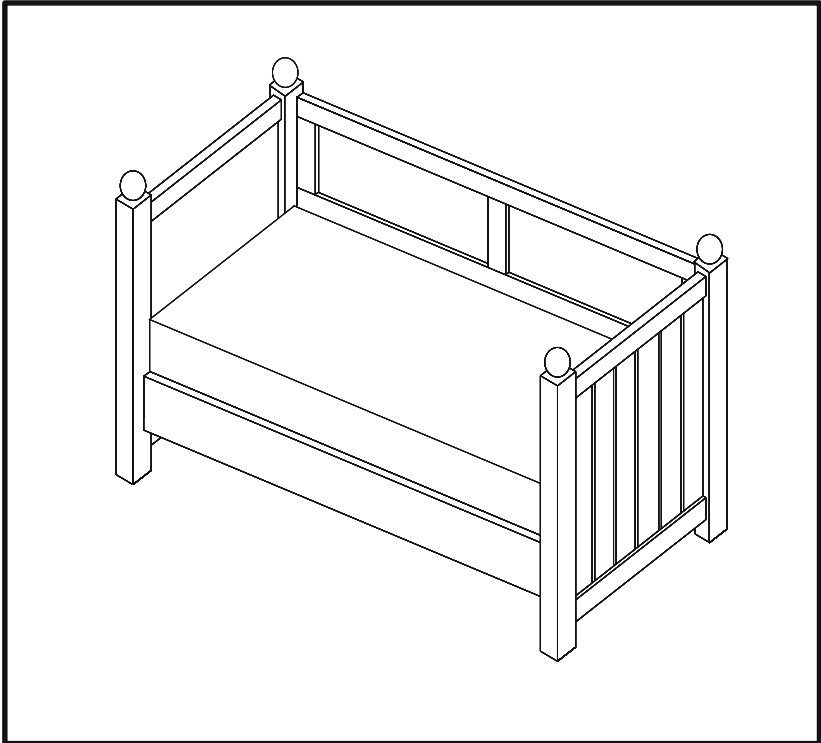


Little Folks

- FURNITURE -



Fargo Day Bed

Code: SBD008

PLEASE READ CAREFULLY & KEEP FOR FUTURE REFERENCE

Thank you for buying a **Little Folks** piece of furniture

Treated properly it should be a faithful servant for years - and we hope you get the same amount of pleasure from it. Before you do

- please take a few minutes to read these instructions
- we suggest you carefully unpack everything, lay it out on a clean, flat floor and identify everything on the parts list in these instructions. Do not throw away any packaging until you are sure you have all the parts.

If you have any problems assembling the product please call our customer services on 01985 300588 and we will try and help. If for any reason you wish to return the product, you must disassemble the product and pack in the original packaging.

Taking care of your product

Your furniture should require no more than a regular dust off with a soft cloth. If the furniture is not painted then a superior wood polish can be used - but never use polishes containing silicone.

If necessary it can be cleaned with a damp cloth with a mild detergent solution - and then dried with a lint-free cloth. Never clean with abrasives or chemical cleaners.

Direct sunlight or heat from a radiator can stain, discolour warp or crack furniture.

We know furniture can be heavy but try not to drag furniture across the floor as this can damage it.

PRODUCT SAFETY

The recommended size of the mattress is 191cm x 90cm (6`3" x 3`0)

Periodically check all fittings to ensure that none have come loose.

Keep away from direct sources of heat, such as electric, gas or coal fires.

Do not allow children to Climb on the furniture.

Using this furniture other than for its intended purpose could cause damage to the structure or serious injury to your child.

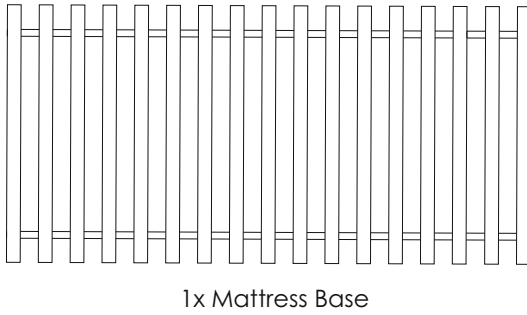
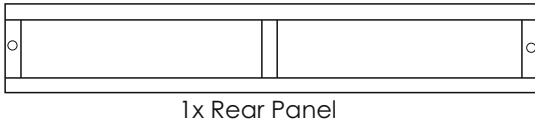
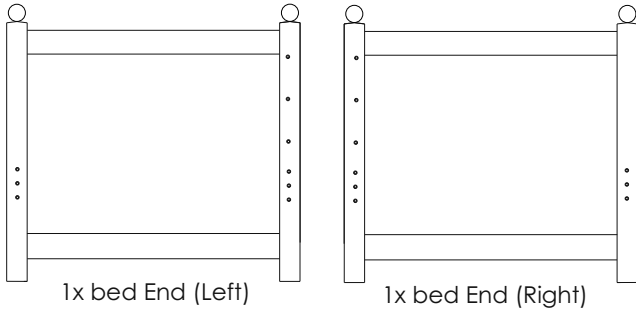
The Bed should not be used if any structural part is broken or missing.

If you can manage it, please try to persuade your children not to bounce on the bed.

Warning: The child's bed should not be placed too close to other furniture or windows, blind cords, curtain pulls or other strings or cords, and should be placed either tight to any wall or have a gap of 300mm between the wall and the side of the bed.

If you have any problems please do contact us for help on email customerservices@littlefolksfurniture.co.uk or phone our **CUSTOMER SERVICES 01985 300588**

Parts



Fittings

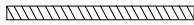
6 x nuts



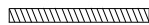
6 x washers



4 x 9cm Threaded Bar



2 x 6cm Threaded Bar



12 x Dowels



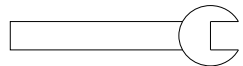
32 x Screws



6 x Lunar Washers

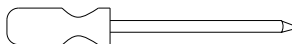


Spanner



Tools Req

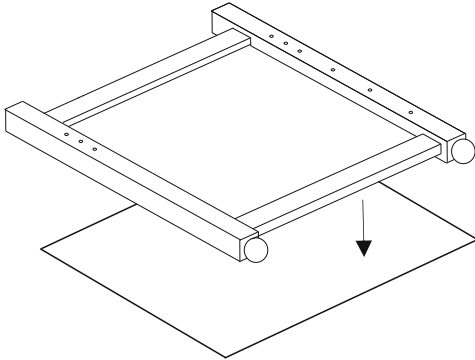
Screwdriver



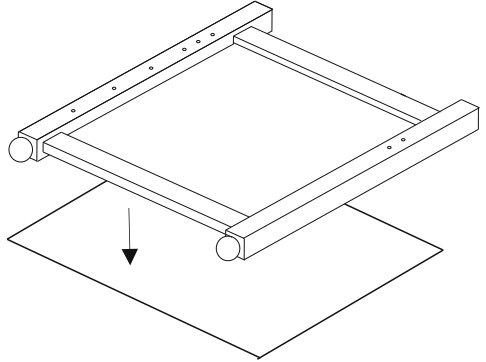
Making ready the bed ends.

Lay both bed ends down on a soft carpet or use the internal packaging from the cartons as protection.

Right-hand end



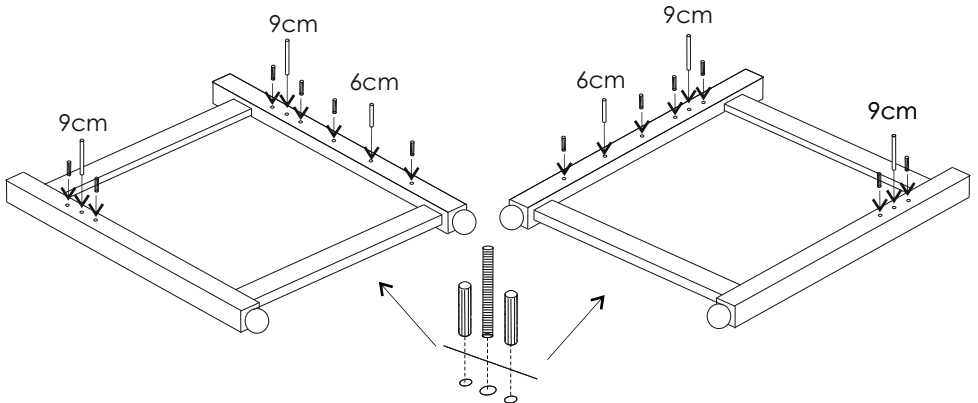
Left-hand end



Fitting the bed ends.

4 threaded bars 9 cm, 2 threaded bars 6 cm and 12 wooden dowels

Insert and rotate fully each threaded bar into the centre holes (metal inserts) on each bed leg (see images). Now insert the wooden dowels into the two holes either side of the fitted bars.

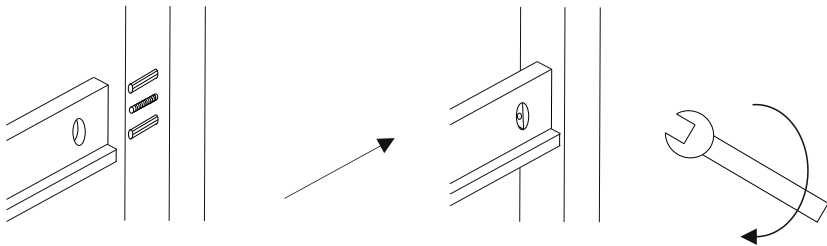
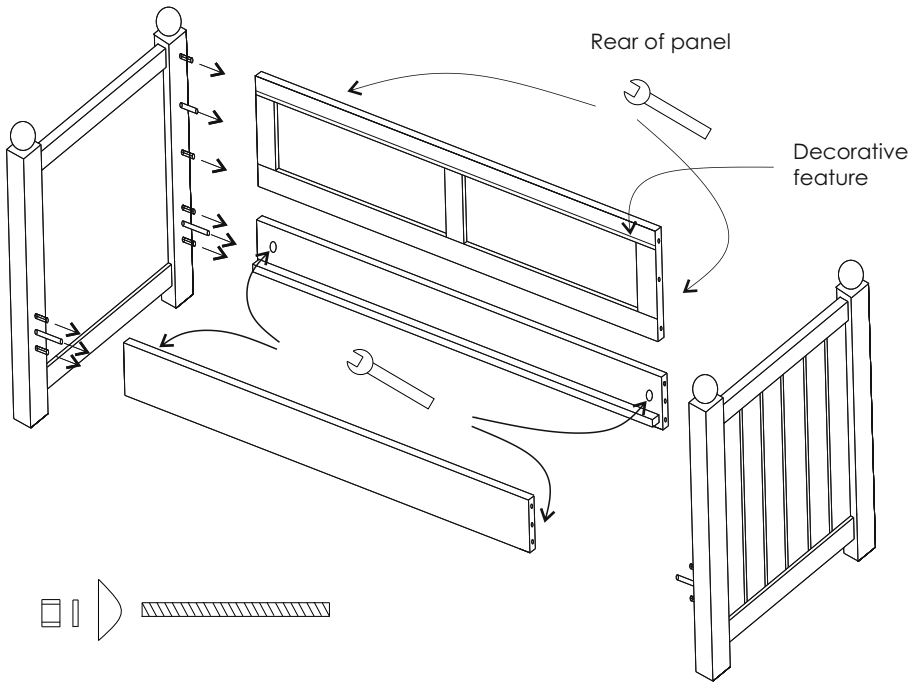


Making the bed. (Two people required)

Starting from the rear, slide the mattress rail and rear panel onto the threaded bars and wooden dowels fitted in the bed legs on one bed end. Secure these two parts by carefully sliding the lunar washer onto the threaded bar as it passes through the large holes, adding the washer and finally the nuts. One person needs to hold and support while the front mattress rail is connected using the same process. Now very carefully align the remaining bed end with the two mattress rails and rear panel, supporting the ALL parts at the same time.

The two mattress rails are fitted from the inside whereas the rear panel is secured from outside the bed.

Rotate the nuts using the spanner provided and tighten the bed frame.

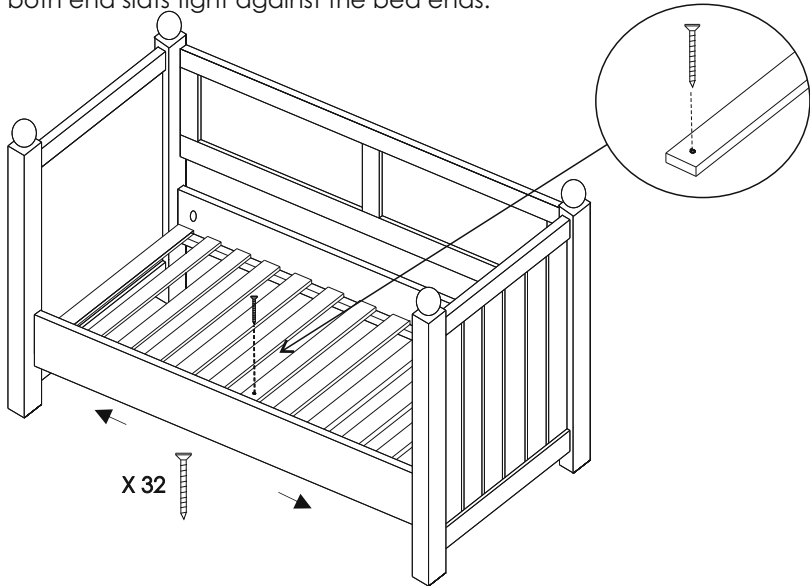


Fix the base

32 x Wood screws

Lift the slatted base onto the bed, slide out and screw each slat down at each end.

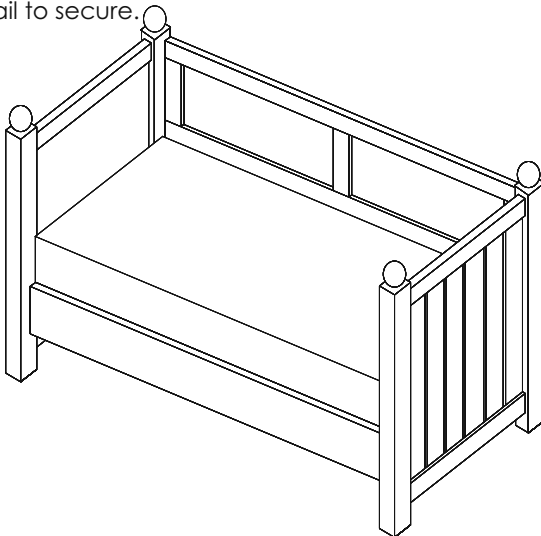
Note: Fit both end slats tight against the bed ends.



Position the bed and fit the mattress (Two people)

Carefully lift the bed into position taking care not to drag.

Gently lift the mattress onto the mattress base, tucking the mattress inside of the front mattress rail to secure.

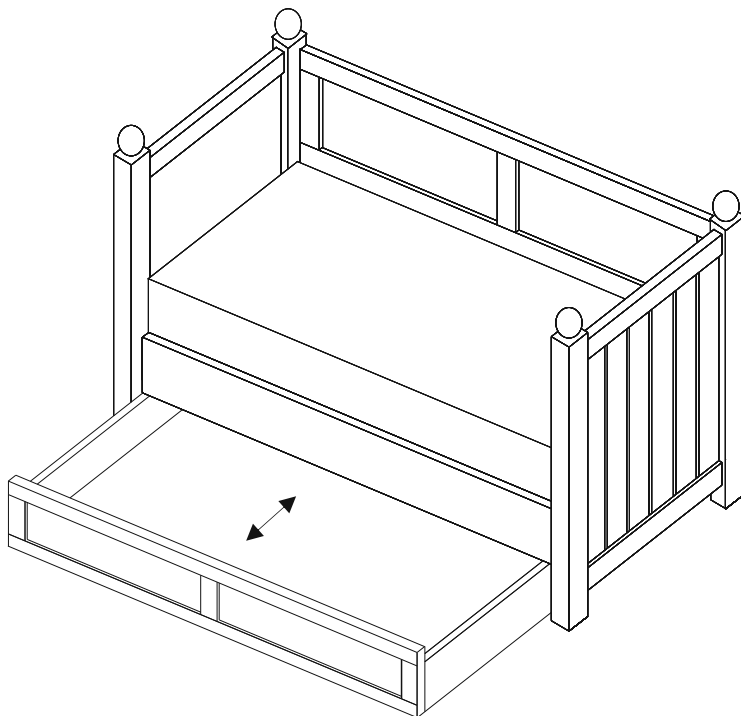


Refer to the trundle instruction leaflet for the assembly of the trundle bed.

Fit the trundle bed

Assembly the trundle bed as explained in the trundle bed instruction leaflet.

Now slide the trundle under the Day bed observing the gaps around the beds.



Please take a few minutes to look over the bed to ensure that the fittings are securely fastened and the product is stable.