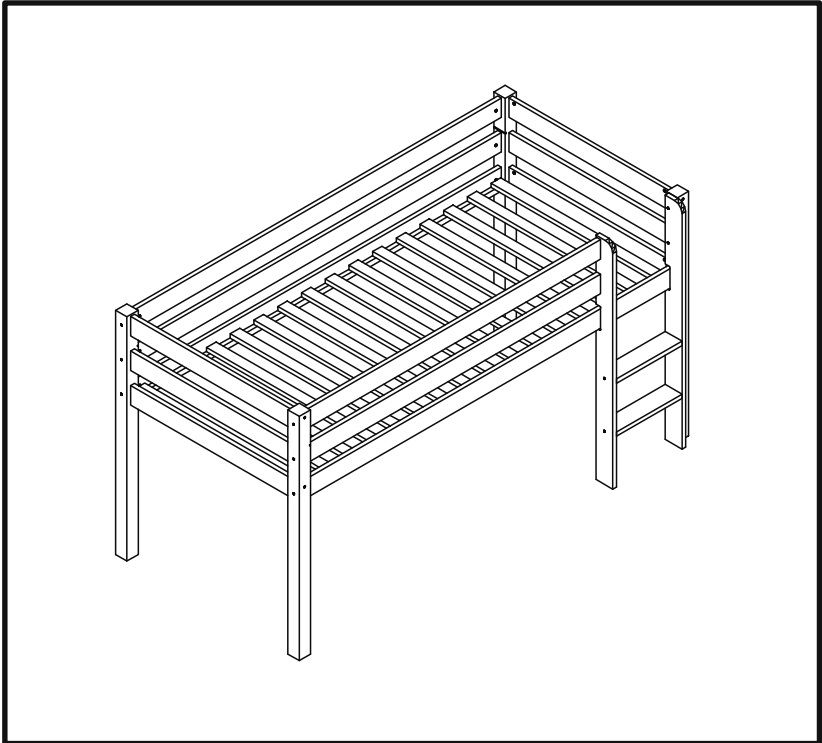


Little Folks

- FURNITURE -



Mid Sleeper Bed

Code: MSP005

PLEASE READ CAREFULLY & KEEP FOR FUTURE REFERENCE

Thank you for buying a **Little Folks** piece of furniture

Treated properly it should be a faithful servant for years - and we hope you get the same amount of pleasure from it. Before you do

- please take a few minutes to read these instructions
- we suggest you carefully unpack everything, lay it out on a clean, flat floor and identify everything on the parts list in these instructions. Do not throw away any packaging until you are sure you have all the parts.

If you have any problems assembling the product please call our customer services on 01985 300588 and we will try and help. If for any reason you wish to return the product, you must disassemble the product and pack in the original packaging.

Taking care of your product

Your furniture should require no more than a regular dust off with a soft cloth. If the furniture is not painted then a superior wood polish can be used - but never use polishes containing silicone.

If necessary it can be cleaned with a damp cloth with a mild detergent solution - and then dried with a lint-free cloth. Never clean with abrasives or chemical cleaners.

Direct sunlight or heat from a radiator can stain, discolour warp or crack furniture.

We know furniture can be heavy but try not to drag furniture across the floor as this can damage it.

PRODUCT SAFETY

WARNING: High Beds and the upper bed of bunk beds are not suitable for children under six years due to risk of injury from falls.

WARNING: Bunk beds and high beds can present a serious risk of injury from strangulation if not used correctly. Never attach or hang items to any part of the bunk bed that are not designed to be used with the bed, for example, but not limited to ropes, strings, cords, hooks, belts and bags.

WARNING: Children can become trapped between the bed and wall, a roof pitch, the ceiling, adjoining pieces of furniture (e.g. cupboards) and the like. To avoid risk of serious injury the distance between the top safety barrier and the adjoining structure shall not exceed 75mm or shall be more than 230mm.

WARNING: Do not use the bunk bed / High bed if any structural part is broken or missing. It is recommended that you always follow the manufacture's instructions to assemble the product.

The **MAXIMUM** thickness of the **UPPER BUNK** mattress is 20cm.

The recommended size of the mattress is 190cm x 90cm

It is necessary to frequently ventilate the room in order to keep the humidity low and to prevent mould in and around the bed.

Periodically check that all assembly fixings are tightened properly, care should be taken to ensure that no fittings are loose.

The furniture must be set up on an even and stable surface.

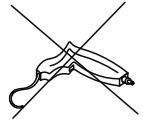
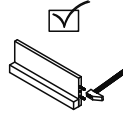
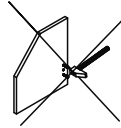
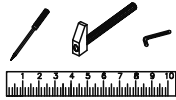
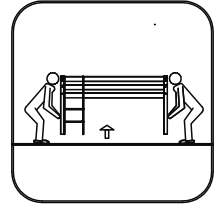
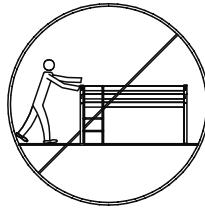
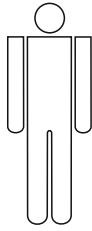
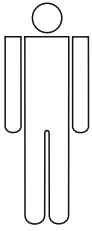
Keep away from direct sources of heat, such as electric, gas or coal fires.

Do not allow children to climb on the furniture. Using this furniture other than for its intended purpose could cause damage to the structure or serious injury to your child.

This product is designed to conform to BSEN747:1 2012 + A1:2015

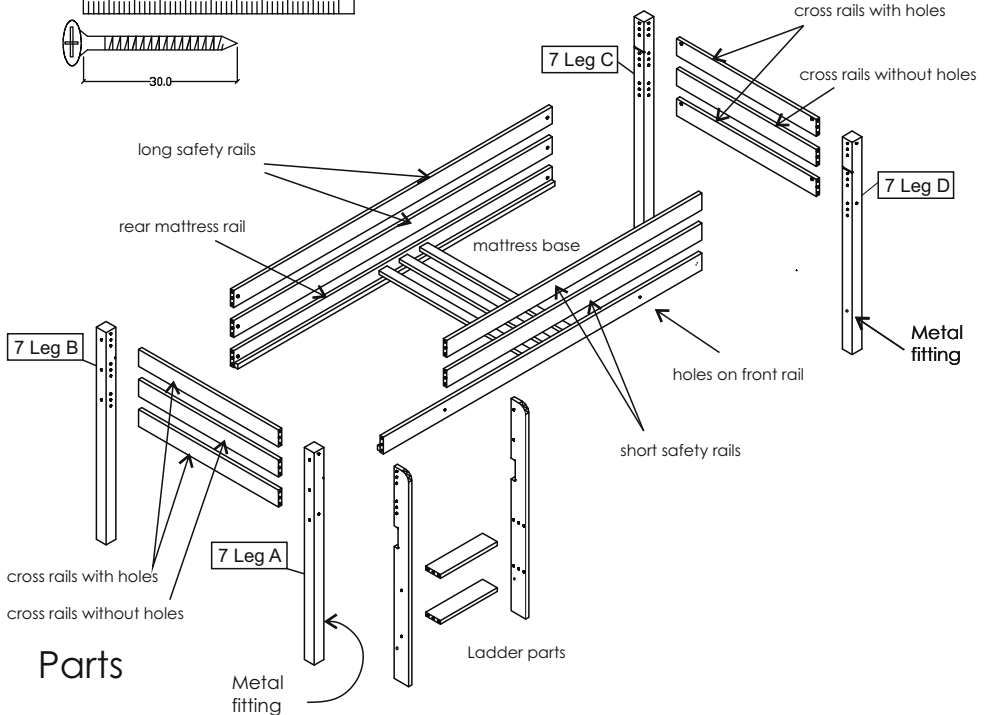
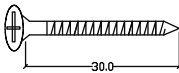
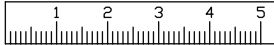
If you have any problems please do contact us for help on email customerservices@littlefolksfurniture.co.uk or phone our **CUSTOMER SERVICES 01985 300588**

Assembly Information



Fittings

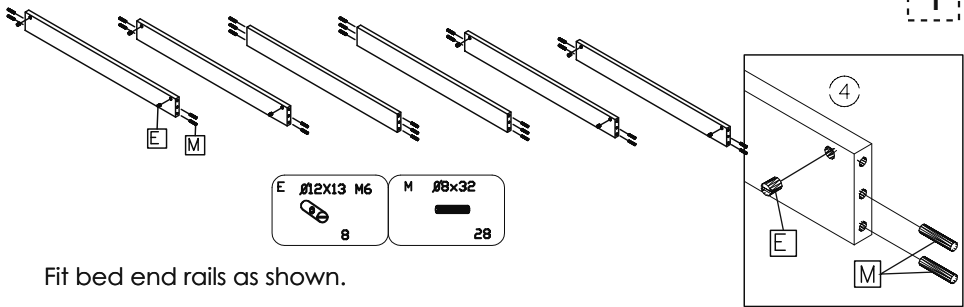
A M6X95 18	B M6X75 2	C M6X60 2	C' M6X 30 1	D M6 2	E Ø12X13 No 20
F M7x50 5	G Ø3.0X30 34	M Ø8x32 60	N Inbus 4mm No 1		



Parts

Look for sticker on base of leg for identification purposes.

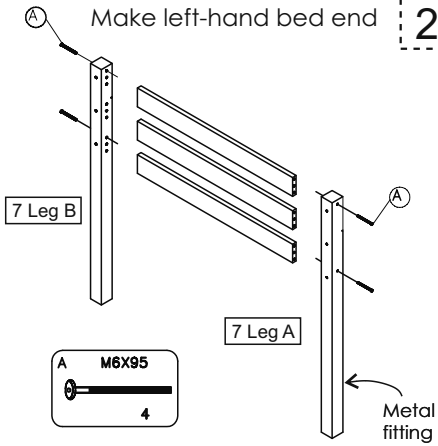
1



Fit bed end rails as shown.

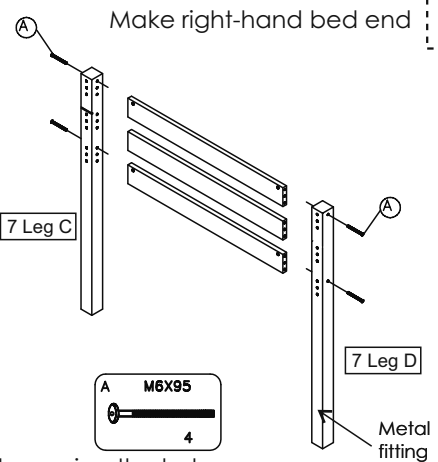
2

Make left-hand bed end



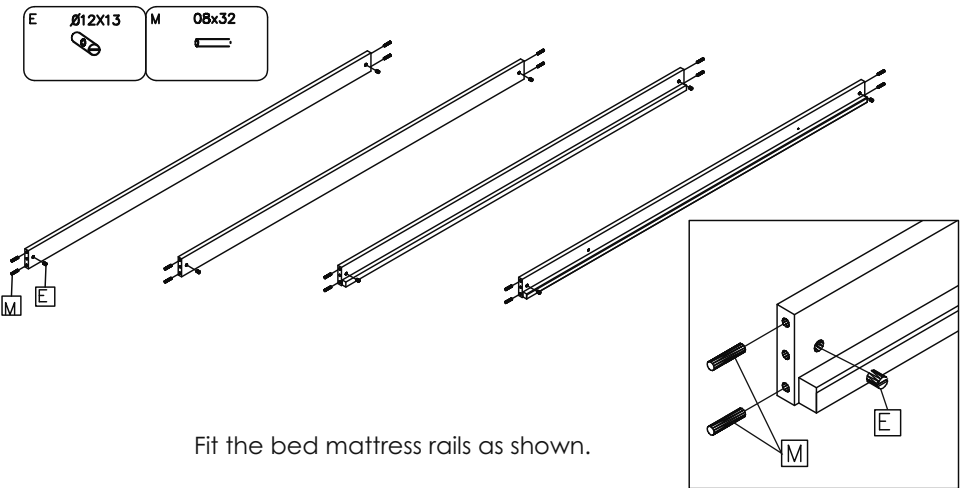
3

Make right-hand bed end



Carefully orientate the bed legs using the holes.

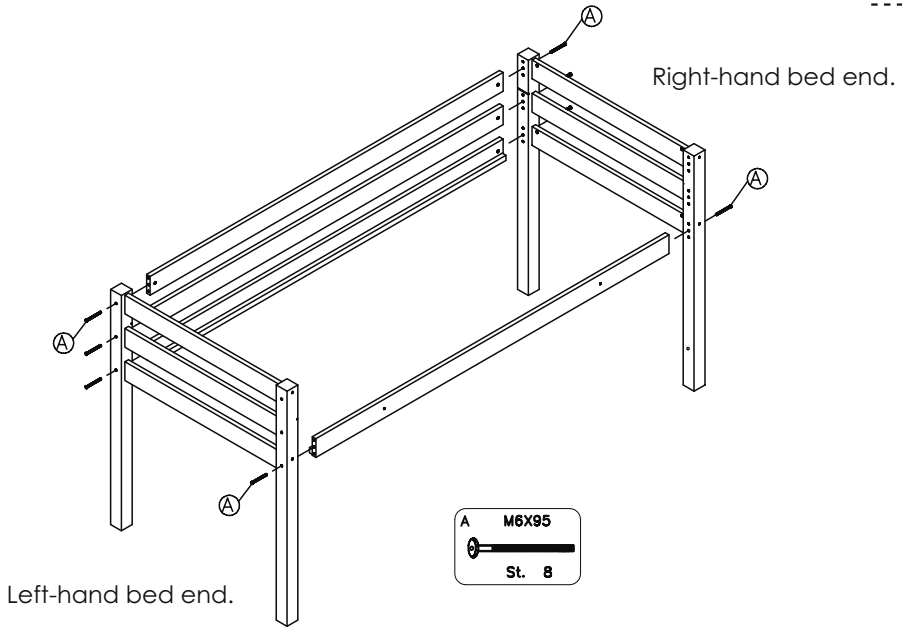
4



Fit the bed mattress rails as shown.

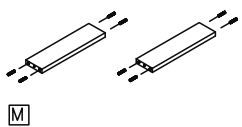
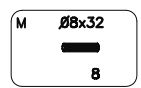
Assemble the bed as shown (Two persons)

5



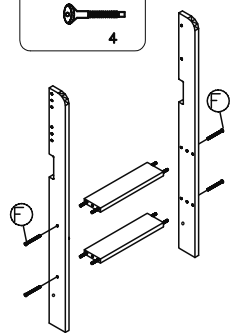
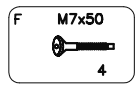
Fit ladder treads

6



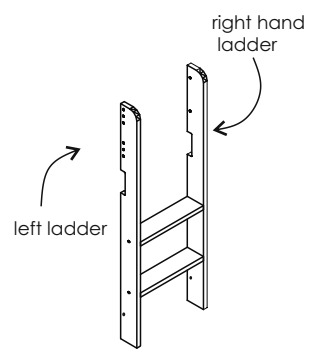
Fit ladder strings

7

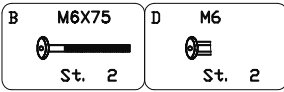


At this stage you must decide which end the ladder is fitted, left or right, skip to step 9A for right hand ladder assembly.

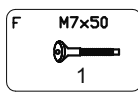
8



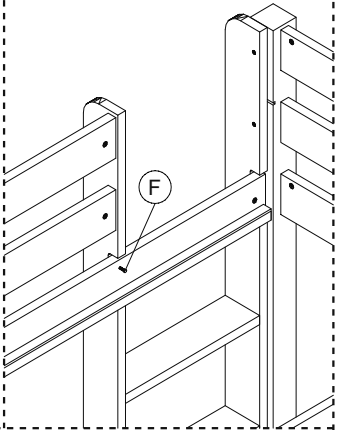
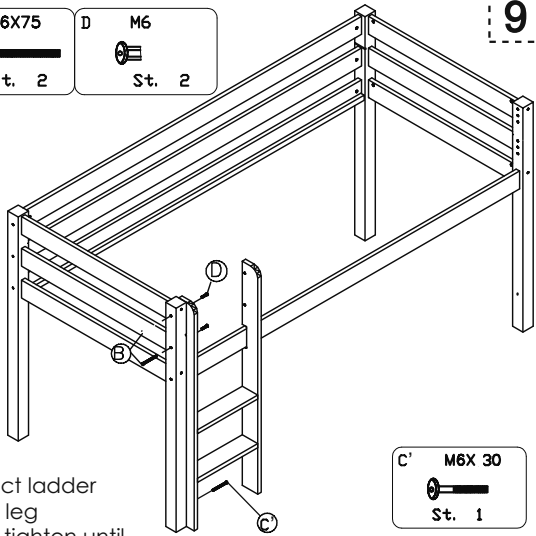
Ladder string assembly



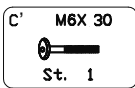
9



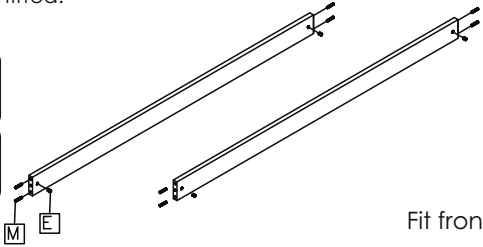
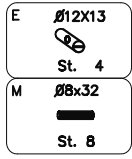
10



Connect ladder to bed leg do not tighten until front safety rails are fitted.

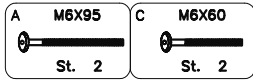
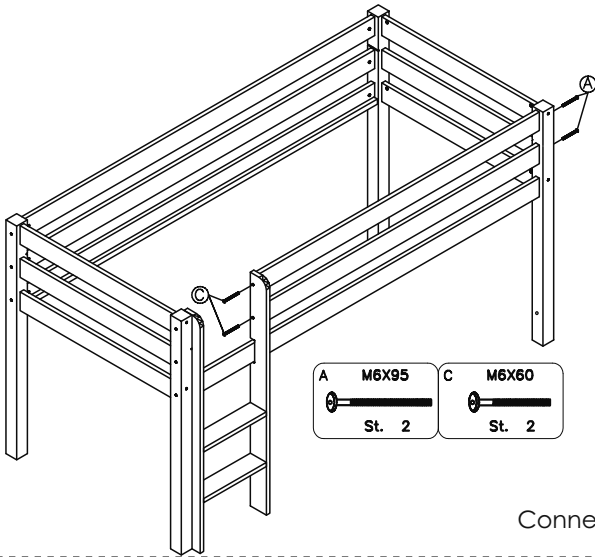


11



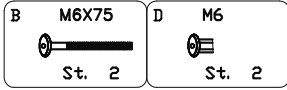
Fit front safety rails

12

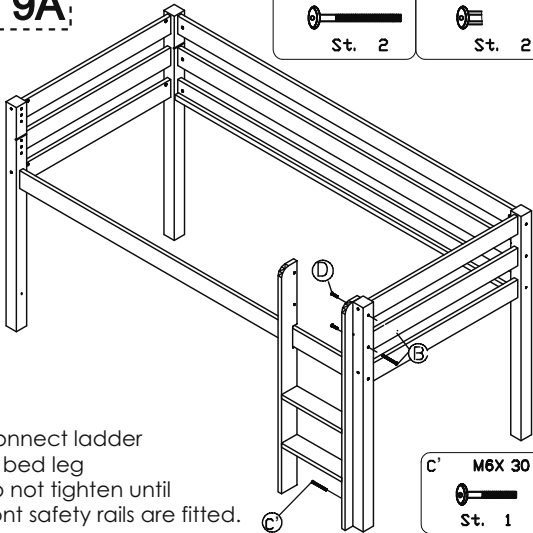
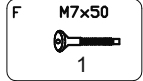


Connect safety rails

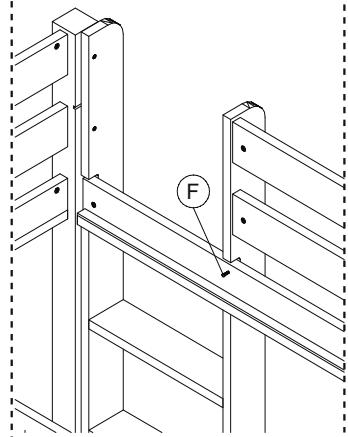
9A



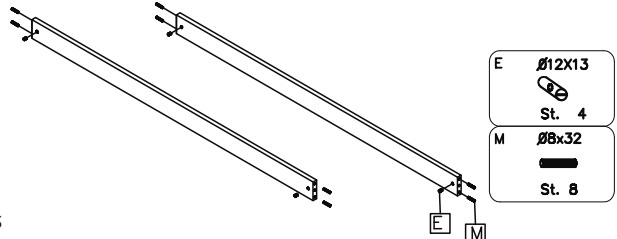
10A



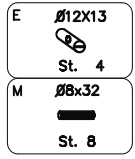
Connect ladder to bed leg
do not tighten until front safety rails are fitted.



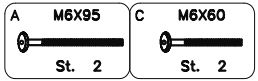
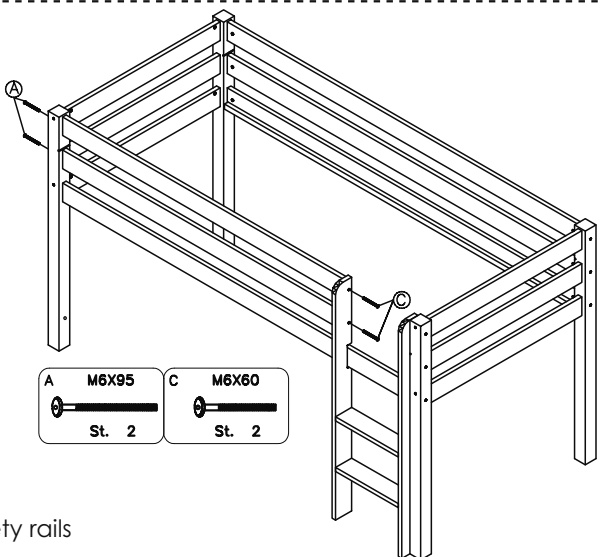
11A



Fit front safety rails



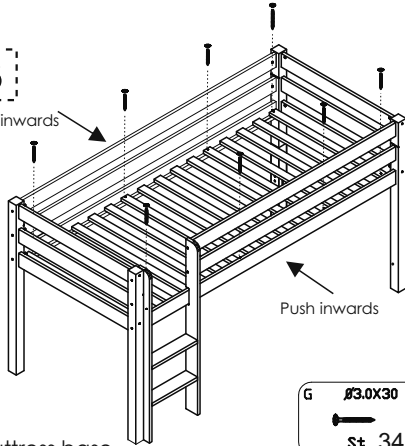
12A



Connect safety rails

13

Push inwards



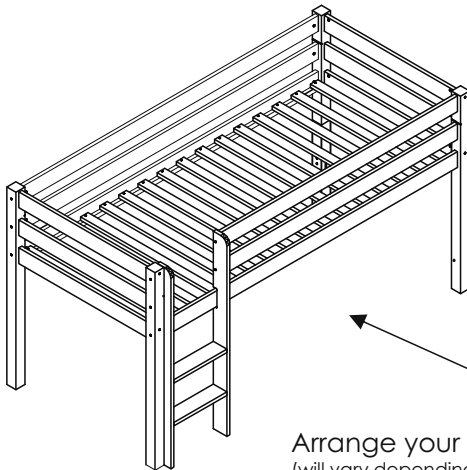
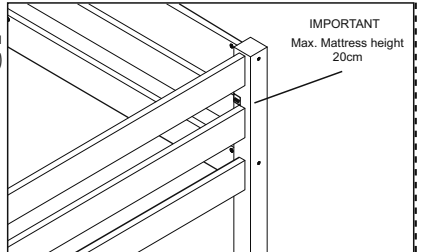
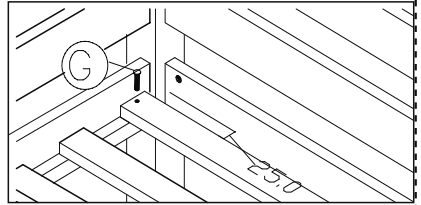
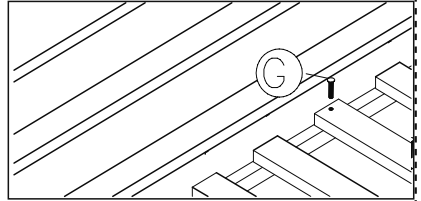
Push inwards

G #3.0X30
st 34

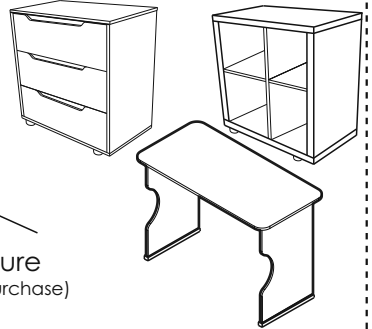
Fit mattress base.

Stretch out the base making sure the end laths are tight against the bed legs, screw down using all the holes provided.

(Pushing inwards at the middle of the mattress rails will help maintain a tight fit against the mattress base ensuring a good screw connection)



Arrange your furniture
(will vary depending on purchase)



Final check

Please position any storage furniture neatly under the upper bed as not to create ledges or foot holds that might be used for access to the bed. Any furniture that is not used under the bed should be individually fastened using the wall straps provided as to prevent toppling (see their instruction leaflet). Carefull observation of safety gaps around your bed and furniture should be maintained.

Do not attach items such as ropes, strings, cords, harnesses or belts etc to avoid the risk of strangulation.

WARNING: Children can become trapped between the bed and wall, a roof pitch, the ceiling, adjoining pieces of furniture (e.g. cupboards) and the like. To avoid risk of serious injury the distance between the top safety barrier and the adjoining structure shall not exceed 75mm or shall be more than 230mm.

Now lift the bed into position and place your furniture beneath the bed.