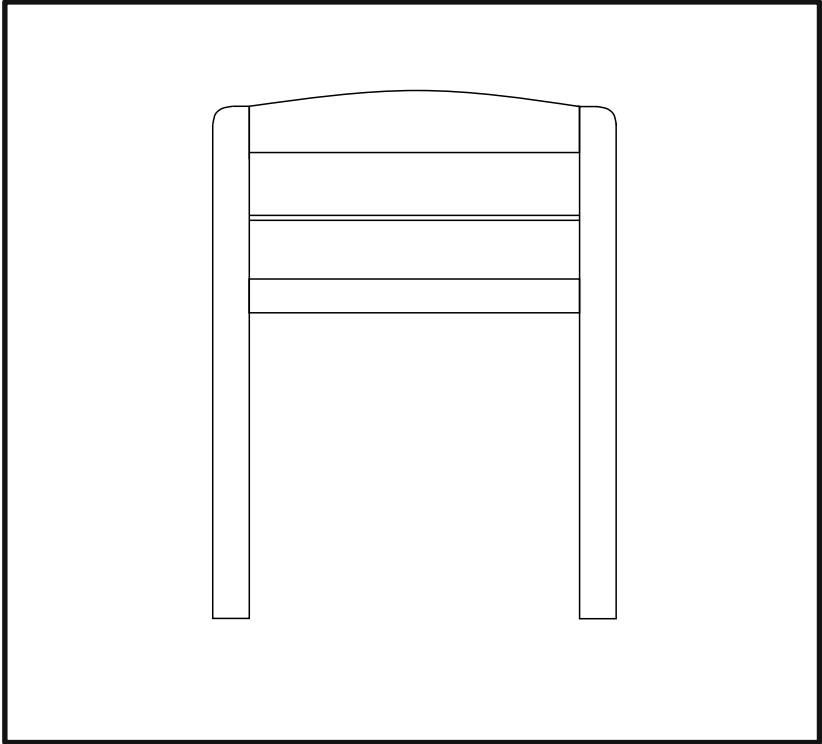


Little Folks
- FURNITURE -



Mid Sleeper Bed

Code: MSP001

PLEASE READ CAREFULLY & KEEP FOR FUTURE REFERENCE

Thank you for buying a **Little Folks** piece of furniture

Treated properly it should be a faithful servant for years - and we hope you get the same amount of pleasure from it. Before you do

- please take a few minutes to read these instructions
- we suggest you carefully unpack everything, lay it out on a clean, flat floor and identify everything on the parts list in these instructions. Do not throw away any packaging until you are sure you have all the parts.

If you have any problems assembling the product please call our customer services on 01985 300588 and we will try and help. If for any reason you wish to return the product, you must disassemble the product and pack in the original packaging.

Taking care of your product

Your furniture should require no more than a regular dust off with a soft cloth. If the furniture is not painted then a superior wood polish can be used - but never use polishes containing silicone.

If necessary it can be cleaned with a damp cloth with a mild detergent solution - and then dried with a lint-free cloth. Never clean with abrasives or chemical cleaners.

Direct sunlight or heat from a radiator can stain, discolour warp or crack furniture.

We know furniture can be heavy but try not to drag furniture across the floor as this can damage it.

PRODUCT SAFETY

This product is designed to conform to BSEN747:1 2012

The MAXIMUM thickness of the UPPER BUNK mattress is 14cm.

The recommended size of the mattress is 191cm x 90cm (6'3" x 3'0")

Periodically check that all assembly fixings are tightened properly, care should be taken to ensure that no fittings are loose.

The furniture must be set up on an even and stable surface.

Keep away from direct sources of heat, such as electric, gas or coal fires.

Do not allow children to climb on the furniture. Using this furniture other than for its intended purpose could cause damage to the structure or serious injury to your child.

The Bunk should not be used if any structural part is broken or missing.

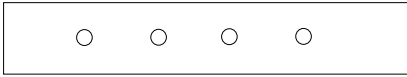
The upper Bunk is not suitable for children under six years old due to the risk of falls.

Do not attach items such as ropes, strings, cords, harnesses or belts etc to avoid the risk of strangulation.

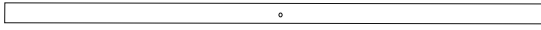
WARNING: Children can become trapped between the bed and the wall. To avoid the risk of serious injury the distance between the top safety barrier and the wall must not exceed 75mm or be more than 230mm.

If you have any problems please do contact us for help on e mail customerservices@littlefolksfurniture.co.uk or phone our **CUSTOMER SERVICES 01985 300588**

Parts



front



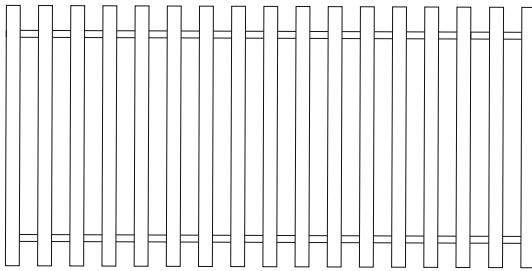
2 x rear rails



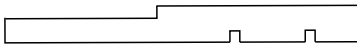
1 x rear mattress rail



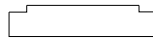
1 x front mattress rail



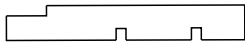
1x Mattress Base



long ladder



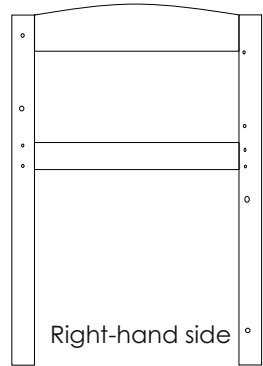
2 x tread



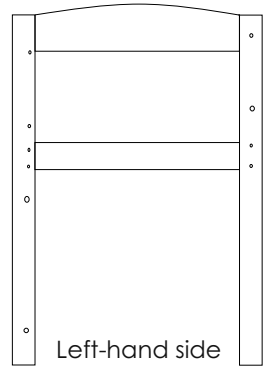
short ladder



piece



Right-hand side



Left-hand side

Fittings

4 x Bolts 8cm 

14 x Bolts 6.5cm 

7x Bolts 4cm 

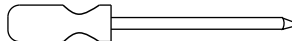
2 x Bolts 3.5cm 

14 x Barrel Nuts 

30 x Screws 

2 x sleeve nuts 

Tools Req

Screwdriver 

2 x Allen Key 

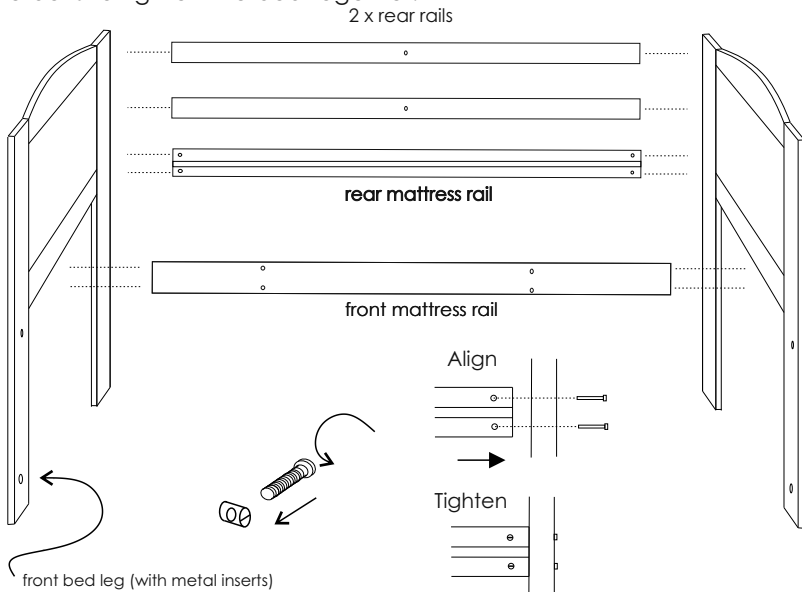
Making the bed frame. (Two People)

12 x Bolts 6.5cm, 12 x Barrel Nuts, an Allen key and a screwdriver.

Push one barrel nut into each mattress rail hole, aligning the slot head to the end hole.

Slide each bolt through the bed end holes and into the holes in the end of each rail.

Twist the bolts to tighten the bed together.



Making the ladder

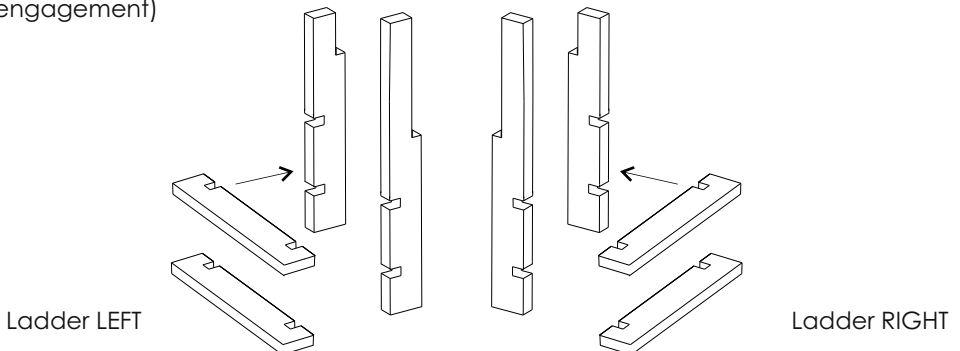
At this point you need to decide which side the ladder is fitted (left or right)

4 x Bolts 8cm and an Allen key

Firmly push together the ladder treads into the ladder strings, notch to notch.

Insert 4 x bolts into the holes positioned at the rear of each ladder string, 2 each side.

Twist the bolts to tighten the ladder together. (Some light movement can help with engagement)



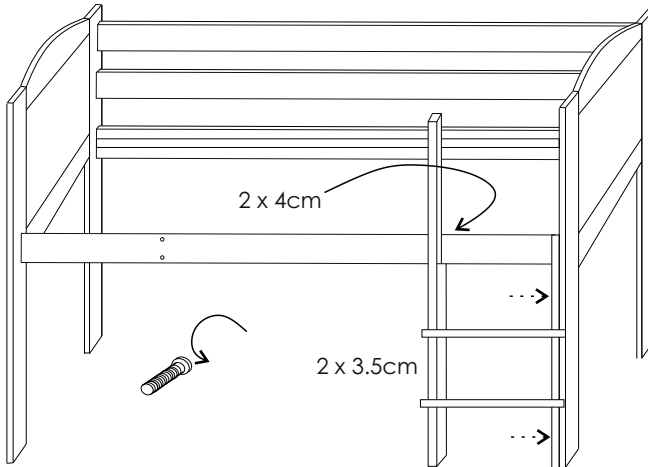
Fit the Ladder (Right-hand entrance illustrated)

2 x Bolts 3.5cm, 2 Bolts 4cm an Allen key

Connect the short ladder to the bed leg using the 2 x 3.5cm bolts.

Now connect the long ladder to the mattress rail using 2 x 4cm bolts, inserting from the inside of the bed frame.

Twist the bolts to tighten the ladder to the bed.

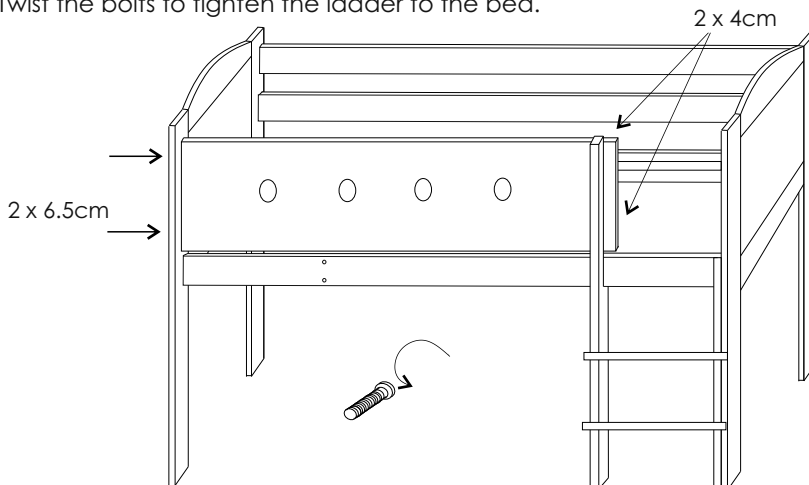


Fit the front safety panel

2 x Bolts 6.5cm, 2 x barrel nuts and 2 Bolts 4cm an Allen key and screwdriver.

Insert 2 x 6.5cm bolts into the bed leg opposite to the ladder, insert 2 x barrel nuts into the safety panel (holes on inside face). Now slide on the safety panel and connect the panel to the long ladder leg using the 4cm bolts and the 6.5cm bolts for the leg.

Twist the bolts to tighten the ladder to the bed.

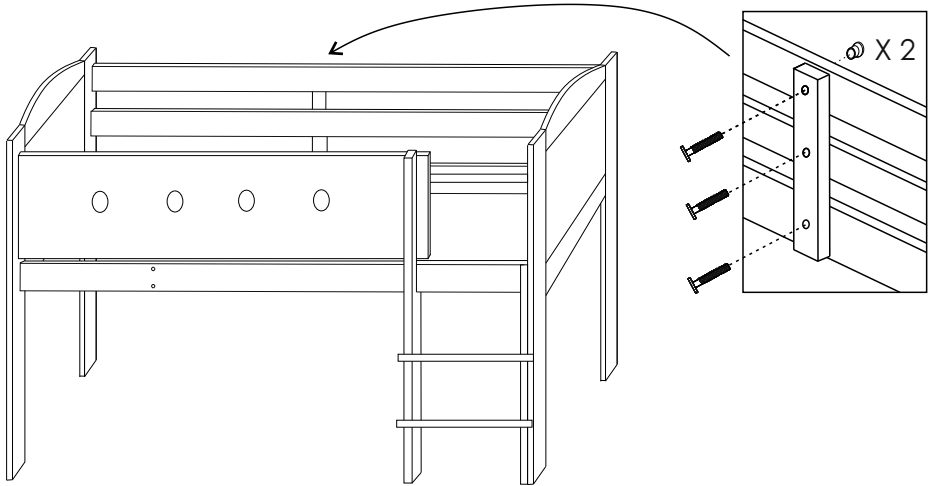


Fit the piece

3 x Bolts 4cm, 2 x Sleeve nuts and 2 Allen keys

Orientate the piece so that the holes line up with the rear rails. Now fit the 2 x sleeve nuts into the top two rear rails. Use the 3 x 4 cm bolts to fix the piece from the outside of the bed and into the 2 x sleeve nuts and lower mattress rail (metal fixing already located in the rail).

Tighten with the 2 Allen keys to lock that parts.

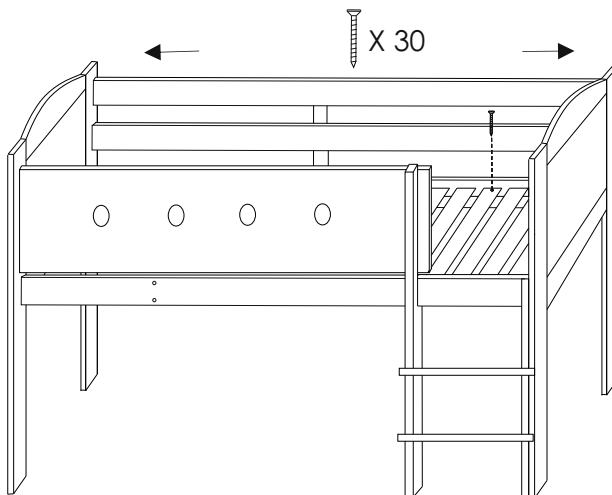


Fix the base

30 x Wood screws and a screwdriver

Lift the slatted base onto the bed, slide out and screw down.

Note: Both end slats should be tight up to each bed end.



Now place the bed into position and place your furniture beneath the bed.