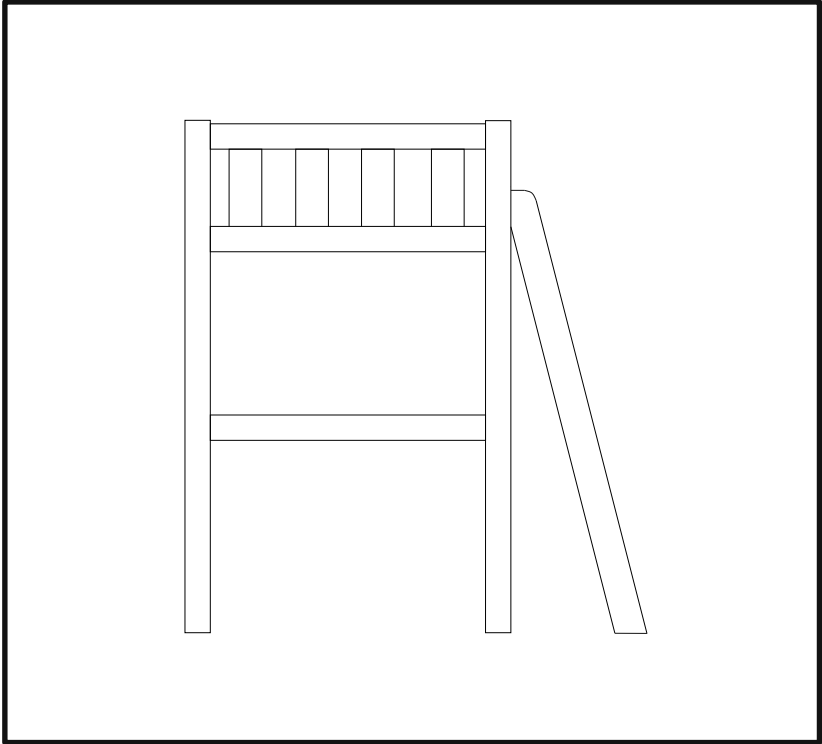


Little Folks

- FURNITURE -



Fargo Hi Sleeper Bed

Code: HSP001

PLEASE READ CAREFULLY & KEEP FOR FUTURE REFERENCE

Thank you for buying a **Little Folks** piece of furniture

Treated properly it should be a faithful servant for years - and we hope you get the same amount of pleasure from it. Before you do

- please take a few minutes to read these instructions
- we suggest you carefully unpack everything, lay it out on a clean, flat floor and identify everything on the parts list in these instructions. Do not throw away any packaging until you are sure you have all the parts.

If you have any problems assembling the product please call our customer services on 01985 300588 and we will try and help. If for any reason you wish to return the product, you must disassemble the product and pack in the original packaging.

Taking care of your product

Your furniture should require no more than a regular dust off with a soft cloth. If the furniture is not painted then a superior wood polish can be used - but never use polishes containing silicone.

If necessary it can be cleaned with a damp cloth with a mild detergent solution - and then dried with a lint-free cloth. Never clean with abrasives or chemical cleaners.

Direct sunlight or heat from a radiator can stain, discolour warp or crack furniture.

We know furniture can be heavy but try not to drag furniture across the floor as this can damage it.

PRODUCT SAFETY

This product is designed to conform to BSEN747:1 2012

The MAXIMUM thickness of the UPPER BUNK mattress is 17cm.

The recommended size of the mattress is 191cm x 90cm (6'3" x 3'0")

Periodically check that all assembly fixings are tightened properly, care should be taken to ensure that no fittings are loose.

The furniture must be set up on an even and stable surface.

Keep away from direct sources of heat, such as electric, gas or coal fires.

Do not allow children to climb on the furniture. Using this furniture other than for its intended purpose could cause damage to the structure or serious injury to your child.

The Bunk should not be used if any structural part is broken or missing.

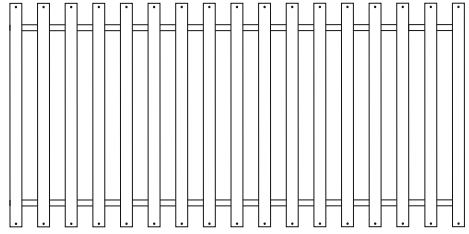
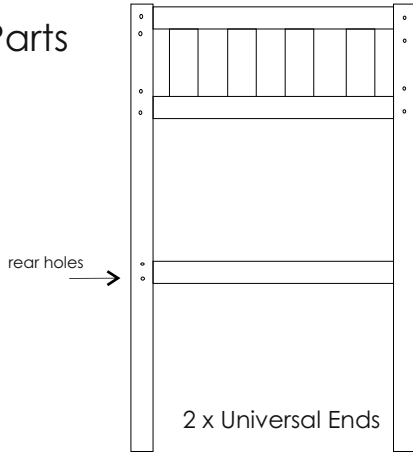
The upper Bunk is not suitable for children under six years old due to the risk of falls.

Do not attach items such as ropes, strings, cords, harnesses or belts etc to avoid the risk of strangulation.

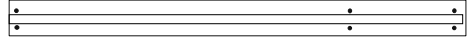
WARNING: Children can become trapped between the bed and the wall. To avoid the risk of serious injury the distance between the top safety barrier and the wall must not exceed 75mm or be more than 230mm.

If you have any problems please do contact us for help on e mail customerservices@littlefolksfurniture.co.uk or phone our **CUSTOMER SERVICES 01985 300588**

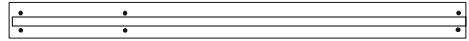
Parts



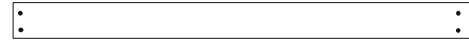
1 x mattress base



1x mattress rail (ladder left)



1x mattress rail (ladder right)



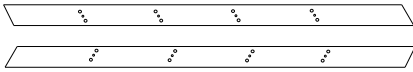
1 x rear safety rail



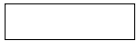
1 x front safety rail



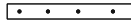
1 x rear rail



2 x ladder pcs




4 x treads



piece

Fittings


8 x Bolts 6cm 

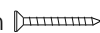
18 x Bolts 10cm 

4 x Bolts 3.5cm 

26 x Barrel Nuts 


4x Bolts 1.8cm 

2 x Screws 1.6cm 

30 x Screws 3.2cm 

2 x ladder hooks 

2x pads 

16 x Dowels 

Tools Req

Screwdriver 

1 x Allen Key 

Making the bed frames.

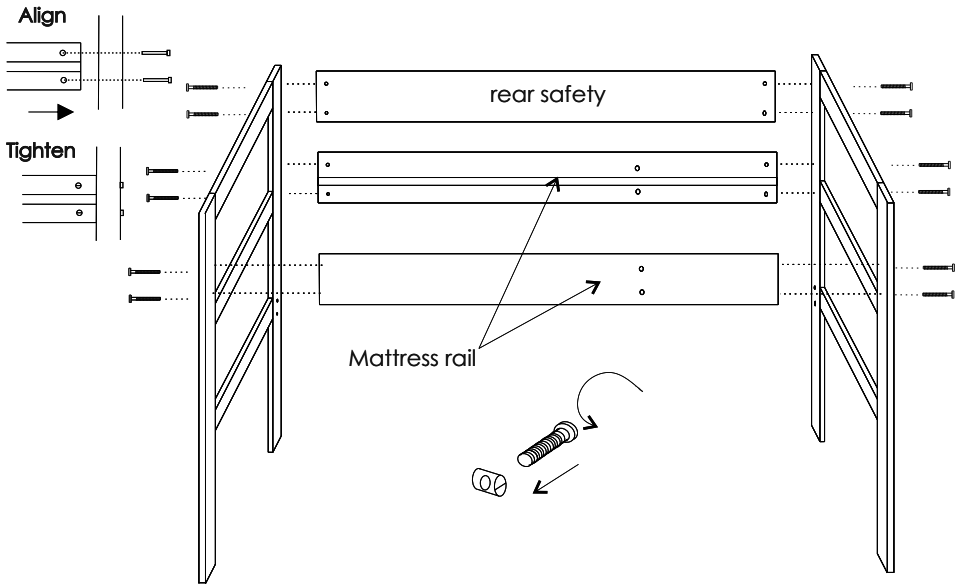
12 x long Bolts 10cm, 12 x Barrel Nuts, an Allen key

Orientate the bed ends with the middle holes at the rear of the bed.

Push one barrel nut into each mattress rail holes, aligning the slot head to the end hole.

Slide each bolt through the bed end holes and into the holes in the end of each mattress rail.

Image with bed entrance on the right, if entrance required on the left, swap the mattress rails. Twist the bolts to tighten the bed together.

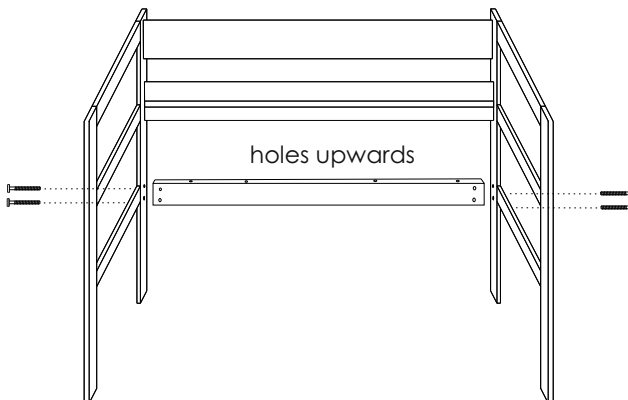


Fit the rear rail

4 x long Bolts 10cm, 4 x Barrel Nuts, an Allen key

Orientate the rear rail with the holes on the edge upwards and insert 4 x barrel nuts.

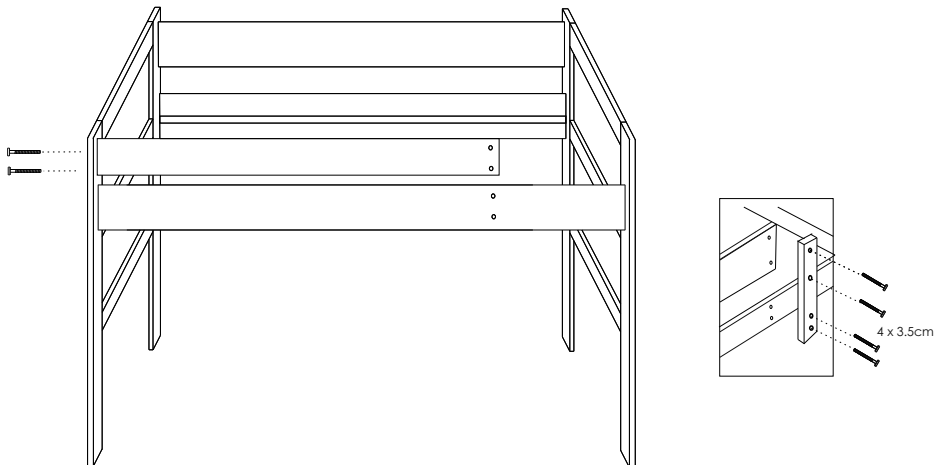
Now insert 4 x bolts through the legs, rotating them into the barrel nuts. Tighten the fittings



Fixing the front safety rail

You need: 2x 10cm bolts, 4 x 3.5cm bolts and an allen key.

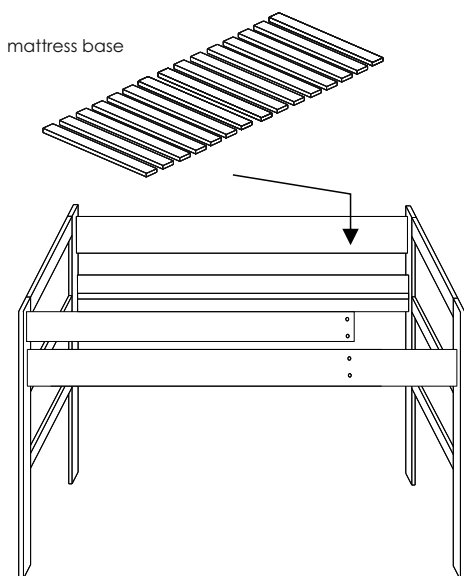
Align the piece to the front mattress rail and fix directly into the mattress rail using 2 x 3.5cm bolts. Now insert 2 x barrel nuts into the front safety rail, slide 2 x 10cm bolts through the leg opposite to the bed entrance and engage the rail. Insert 2 x 3.5cm bolts through the piece and rotate into the front safety rail. Tighten all the parts up using the allen key.



Fit the mattress base

30 x 3.2cm wood screws

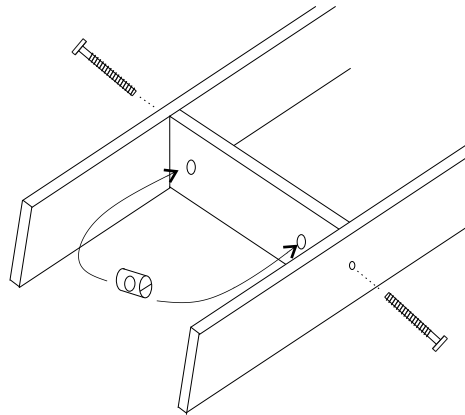
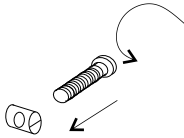
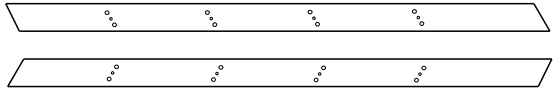
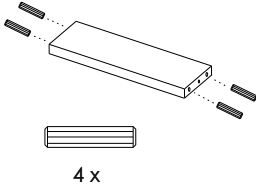
Spread out the mattress base onto both the bed frame, ensuring that the end slats are tight up to the bed ends. Screw down each bed slat.



Make the ladder

You need: 8 x 6cm bolts, 8 x barrel nuts and 16 dowels
insert 4 x dowels into each tread

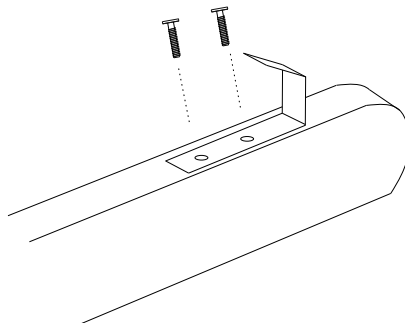
Orientate the ladder pieces so they are opposite each other and with the holes facing upwards. Now press a tread into each pair of holes, matching the front edges. Once all treads are engaged and the ladder formed, insert a barrel nut into the tread hole, slip a 6cm bolt from the outside, rotating into the barrel nut hole, repeating on the remaining holes. Tighten all fixings to make the ladder.



Fit the ladder hooks

You need: 4 x bolts 1.8cm, 2 x ladder hooks and 2 x pads

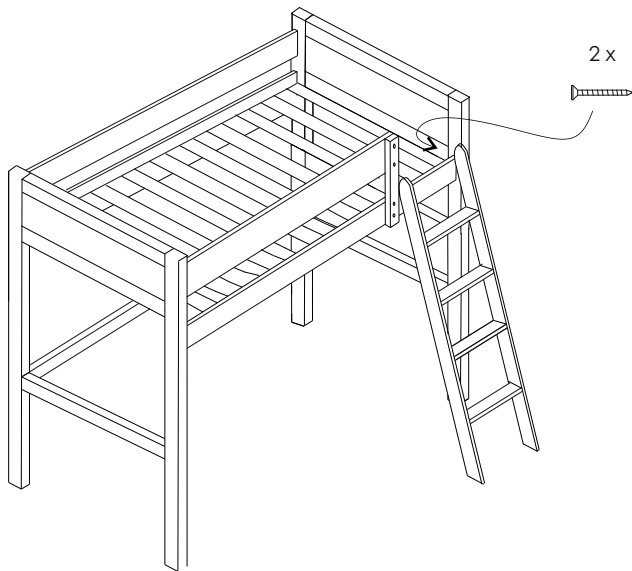
Orientate the 2 x hooks on the ladder and connect using the 4 x 1.8cm bolts. Now stick a pad onto the inside of the hook, this will protect the paintwork on your bed.



Fix the ladder to the bed

You need: 2 x 1.6cm screws

Fit the ladder into the bed entrance and screw the hooks to the bed rail.



Please refer to the individual instruction leaflets for the different types of furniture that can be used with this bed.