

# Little Folks

- FURNITURE -



## Fargo Chest of Drawers

Code: COD007

PLEASE READ CAREFULLY & KEEP FOR FUTURE REFERENCE

Thank you for buying a **Little Folks** piece of furniture

Treated properly it should be a faithful servant for years - and we hope you get the same amount of pleasure from it. Before you do

- please take a few minutes to read these instructions
- we suggest you carefully unpack everything, lay it out on a clean, flat floor and identify everything on the parts list in these instructions. Do not throw away any packaging until you are sure you have all the parts.

If you have any problems assembling the product please call our customer services on 01985 300588 and we will try and help. If for any reason you wish to return the product, you must disassemble the product and pack in the original packaging.

## Taking care of your product

Your furniture should require no more than a regular dust off with a soft cloth. If the furniture is not painted then a superior wood polish can be used - but never use polishes containing silicone.

If necessary it can be cleaned with a damp cloth with a mild detergent solution - and then dried with a lint-free cloth. Never clean with abrasives or chemical cleaners.

Direct sunlight or heat from a radiator can stain, discolour warp or crack furniture.

We know furniture can be heavy but try not to drag furniture across the floor as this can damage it.

## PRODUCT SAFETY

Periodically check all fittings to ensure that none have come loose.

Keep away from direct sources of heat, such as electric, gas or wood fires.

Do not allow children to climb on the furniture. Larger items of furniture should be properly (and professionally) secured to the wall to prevent them toppling over. Using this furniture other than for its intended purpose could cause damage to the structure or serious injury to your child.

The furniture should not be used if any structural part is broken or missing.

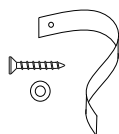
If you have any problems please do contact us for help on e mail [customerservices@littlefolksfurniture.co.uk](mailto:customerservices@littlefolksfurniture.co.uk) or phone our **CUSTOMER SERVICES** 01985 300588

## Product list



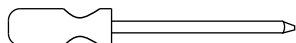
## Fittings

1 x Wall strap Kit



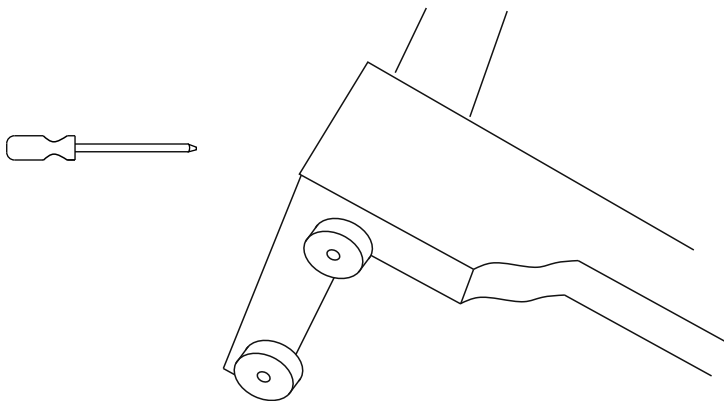
## Tools Req

Screwdriver



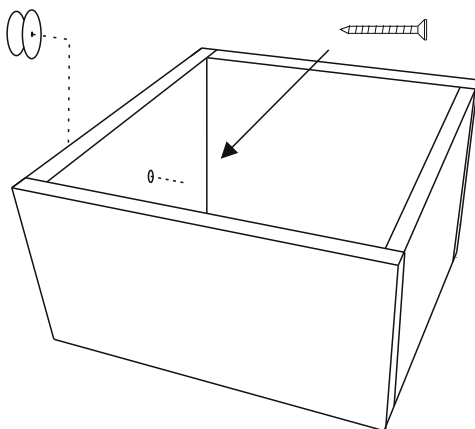
## Remove the product feet

These feet are fitted to the Chest to protect the product through the transport route. Lay the chest on its back and unscrew the feet, up-righting the chest once complete.



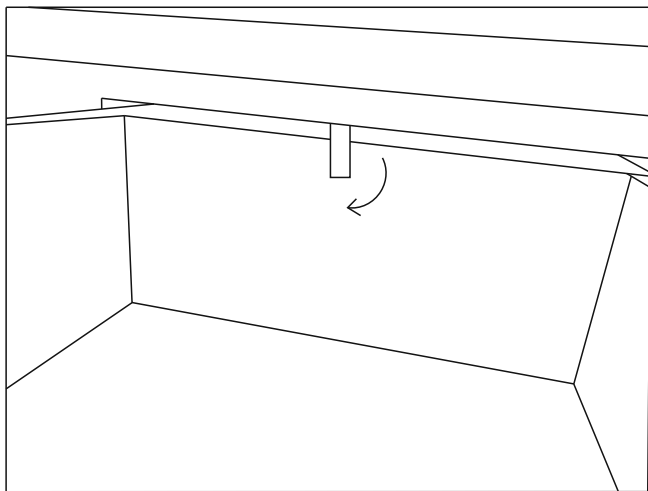
## Fix the drawer knobs

Un-screw each drawer knob (fitted to the inside of the product for transit reasons) then re-position each knob onto the outside of the drawer and re-attach using the same screw.



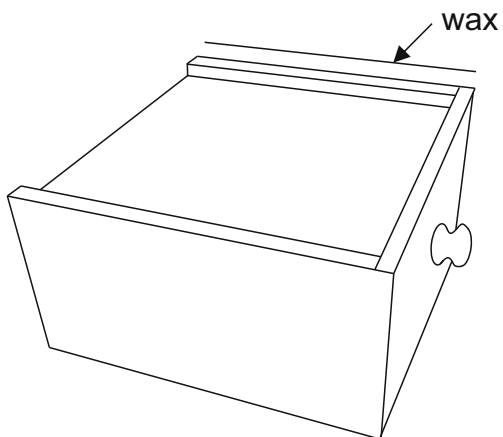
## Drawer stops

The product has drawer stops fitted. By rotating the drawer stops you can remove the drawer from the carcass.



## Lubricating the drawer

Remove the each drawer from carcass and apply a lubricating wax to the base of each drawer side.



## Locate the Unit

Gently lift the carcass into location. Fix the wall strap to the rear of the carcass and connect to the wall.

Little Folks Furniture do not supply wall fixings due to the wide ranging differences of wall construction.

**Warning:** This work should only be carried out by a competent person or a professional.



1 x Wall strap Kit

