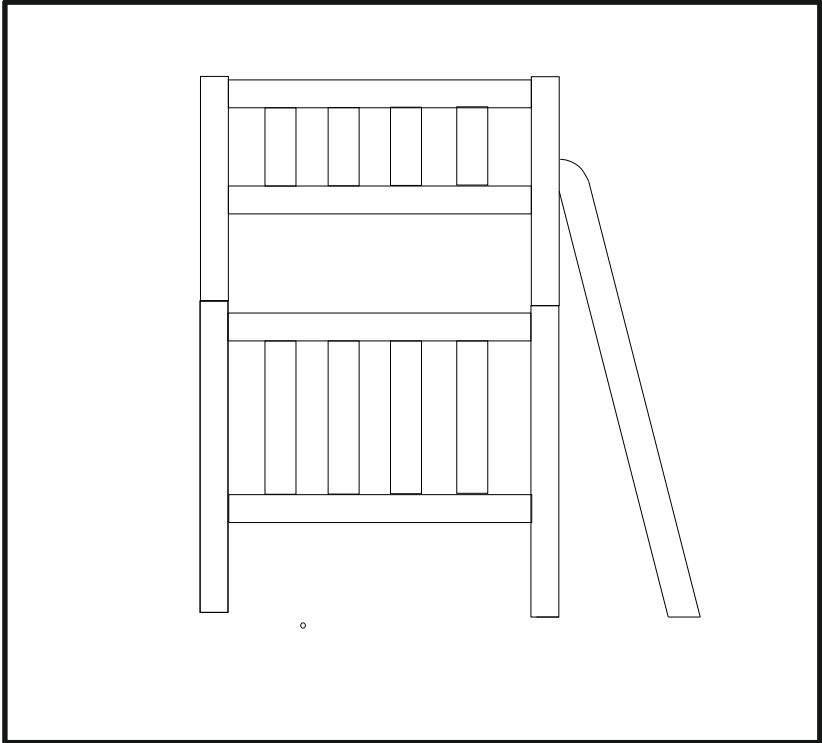


Little Folks

- FURNITURE -



Fargo Bunk Bed

Code: BBD007

PLEASE READ CAREFULLY & KEEP FOR FUTURE REFERENCE

Thank you for buying a **Little Folks** piece of furniture

Treated properly it should be a faithful servant for years - and we hope you get the same amount of pleasure from it. Before you do

- please take a few minutes to read these instructions
- we suggest you carefully unpack everything, lay it out on a clean, flat floor and identify everything on the parts list in these instructions. Do not throw away any packaging until you are sure you have all the parts.

If you have any problems assembling the product please call our customer services on 01985 300588 and we will try and help. If for any reason you wish to return the product, you must disassemble the product and pack in the original packaging.

Taking care of your product

Your furniture should require no more than a regular dust off with a soft cloth. If the furniture is not painted then a superior wood polish can be used - but never use polishes containing silicone.

If necessary it can be cleaned with a damp cloth with a mild detergent solution - and then dried with a lint-free cloth. Never clean with abrasives or chemical cleaners.

Direct sunlight or heat from a radiator can stain, discolour warp or crack furniture.

We know furniture can be heavy but try not to drag furniture across the floor as this can damage it.

PRODUCT SAFETY

This product is designed to conform to BSEN747:1 2012

The MAXIMUM thickness of the UPPER BUNK mattress is 21cm.

The recommended size of the mattress is 191cm x 90cm (6'3" x 3'0)

Periodically check that all assembly fixings are tightened properly, care should be taken to ensure that no fittings are loose.

The furniture must be set up on an even and stable surface.

Keep away from direct sources of heat, such as electric, gas or coal fires.

Do not allow children to climb on the furniture. Using this furniture other than for its intended purpose could cause damage to the structure or serious injury to your child.

The Bunk should not be used if any structural part is broken or missing.

The upper Bunk is not suitable for children under six years old due to the risk of falls.

Do not attach items such as ropes, strings, cords, harnesses or belts etc to avoid the risk of strangulation.

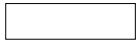
WARNING: Children can become trapped between the bed and the wall. To avoid the risk of serious injury the distance between the top safety barrier and the wall must not exceed 75mm or be more than 230mm.

If you have any problems please do contact us for help on email customerservices@littlefolksfurniture.co.uk or phone our **CUSTOMER SERVICES 01985 300588**

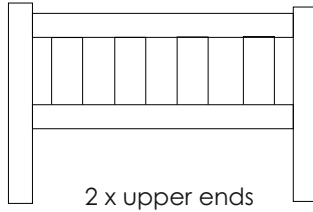
Parts



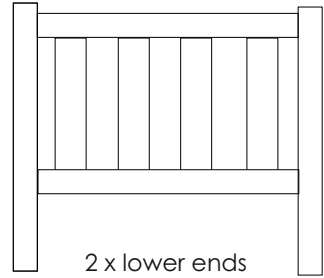
piece



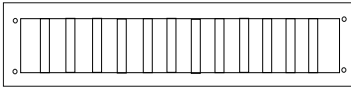
4 x treads



2 x upper ends



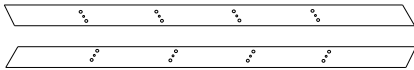
2 x lower ends



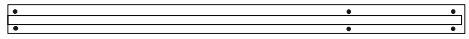
front safety panel



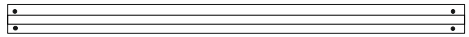
rear safety panel



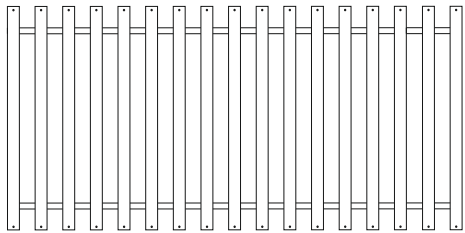
2 x ladder pcs



2 x upper rails (with holes)




2 x lower rails




2 x mattress base

Fittings

16 x Bolts 10cm 

10 x Bolts 8cm 

8 x Bolts 6cm 

12 x Bolts 3.5cm 


4x Bolts 1.8cm 

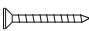
4 x Double Dowels 

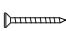
24 x Barrel Nuts 

2 x sleeve nuts 

4 x rings 

4 x Screws 3.8cm 

60 x Screws 3.2cm 

2 x Screws 1.6cm 

16 x Dowels 

4 x covers 

2x pads 

Tools Req

Screwdriver 

2 x Allen Key 

2 x ladder hooks 

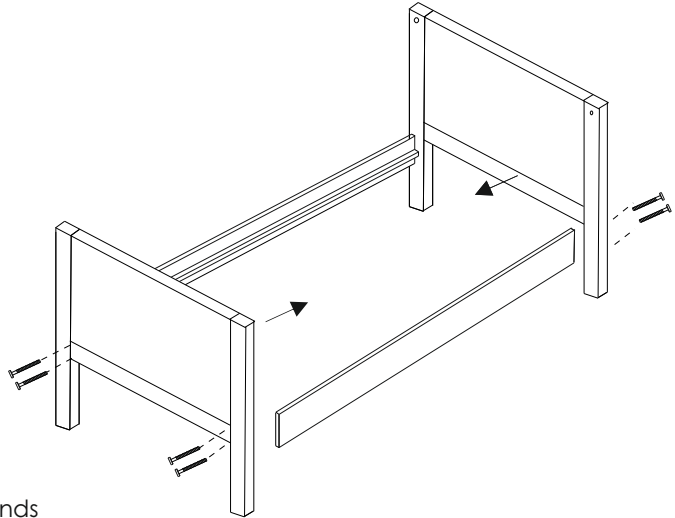
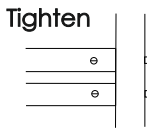
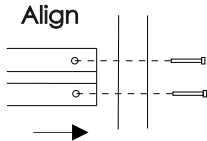
Making the bed frames.

16 x long Bolts 10cm, 16 x Barrel Nuts, an Allen key

Push one barrel nut into each mattress rail holes, aligning the slot head to the end hole.

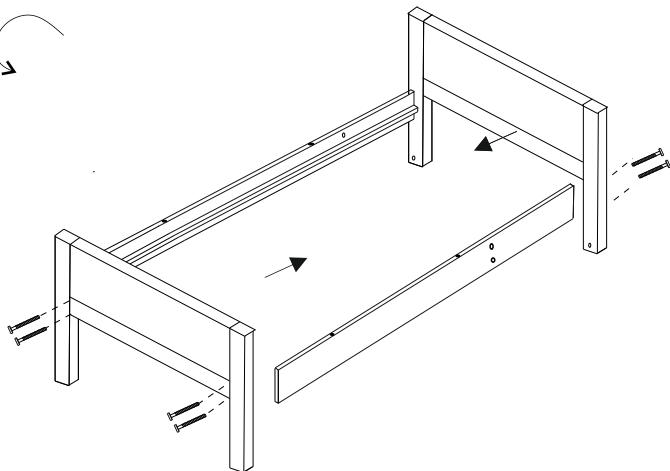
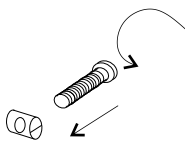
Slide each bolt through the bed end holes and into the holes in the end of each mattress rail.

Twist the bolts to tighten the bed together.



2 x lower ends

The holes on the top of the bed legs **MUST** be on the inside of the bed



2 x upper ends

The holes on the base of the bed legs **MUST** be on the inside of the bed

Note; please select the two upper mattress rails with holes in them for the upper bed.

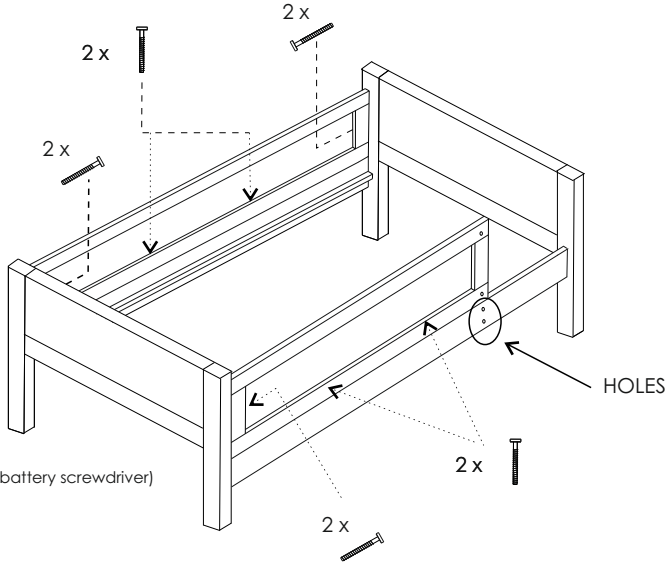
Fixing the safety panels (illustrated with open panels)

You need: 10 x 8cm bolts and an allen key

Note; Holes (circled) indicate the entrance for the upper bed, shown here on the right.

If the entrance is required for the right side, fit the safety panel on the opposite side.

Bolt both panels to the top edge of the mattress rail and the bed legs as shown.

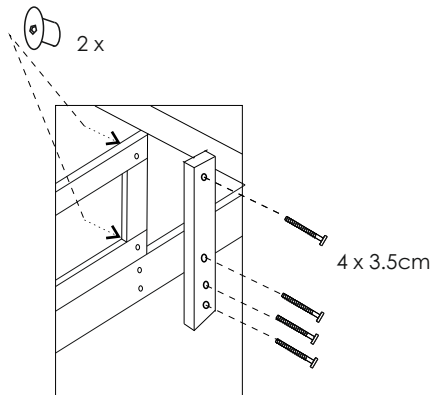


Hand tight (do not use battery screwdriver)

Fix the piece

You need: 4 x 3.5cm bolts, 4 x sleeve nuts and 2 x Allen keys

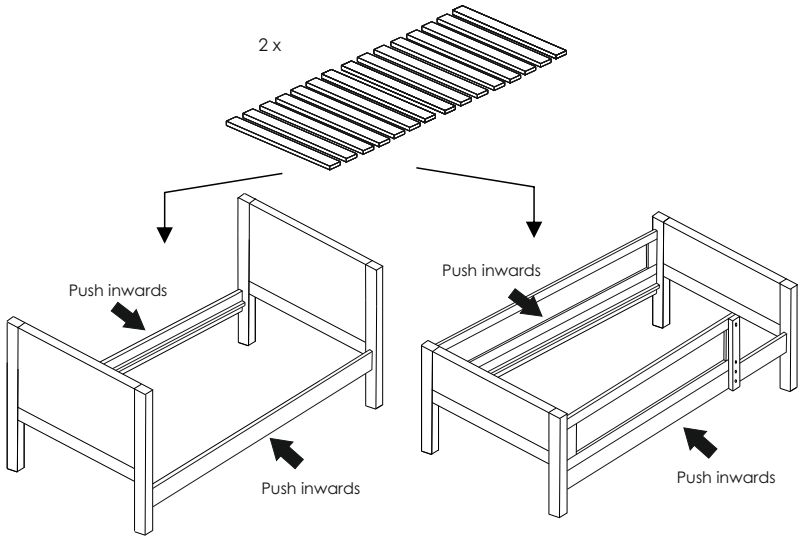
Orientate the piece and line up the holes. Fix the two lower bolts into the mattress rail. Now slip 2 x sleeve nuts into the rear of the front safety panel, align the remaining 2 x bolts, rotate to tighten.



Fit the mattress bases

60 x wood screws

Spread out both mattress bases onto both the upper and lower bed frame, ensuring that the end slats are tight up to the bed ends. Screw down each bed slat.



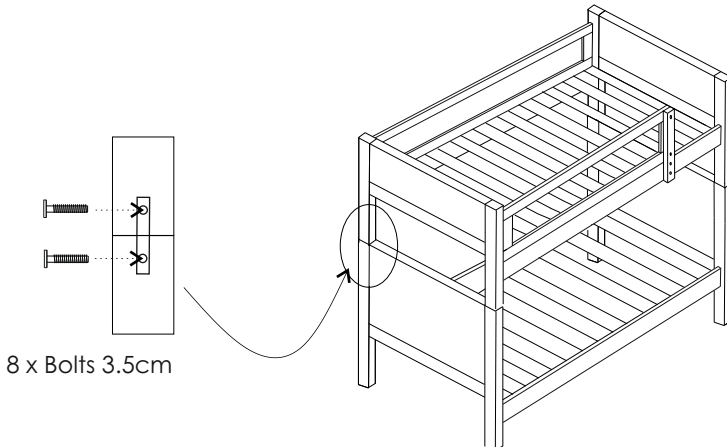
Make the bunk

Two people

8 x 3.5cm bolts and 4 x double dowels and an allen key.

Fit 4 x double dowels into the top of the legs on the lower bed, insert 4 x 3.5cm bolts (do not tighten)

Now lift the upper bunk onto the lower bunk, aligning the double dowels. Now insert the remaining 4 bolts, once engaged, tighten ALL 8 bolts. (some wiggling of the lower attached bolt can help align the upper bolts)

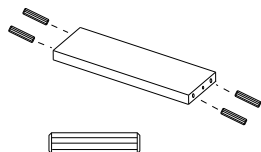


Make the ladder

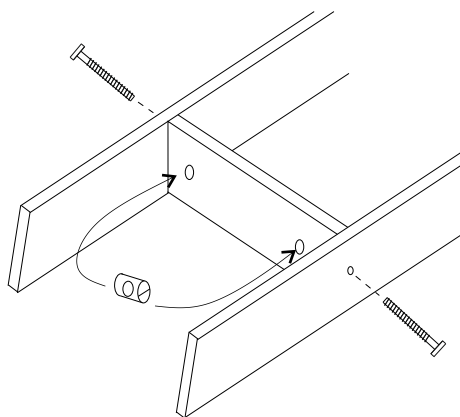
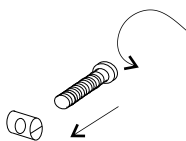
You need: 8 x 6cm bolts, 8 x barrel nuts and 16 dowels

insert 4 x dowels into each tread

Orientate the ladder pieces so they are opposite each other and with the holes facing upwards. Now press a tread into each pair of holes, matching the front edges. Once all treads are engaged and the ladder formed, insert a barrel nut into the tread hole, slip a 6cm bolt from the outside, rotating into the barrel nut hole, repeating on the remaining holes. Tighten all fixings to make the ladder.



4 x

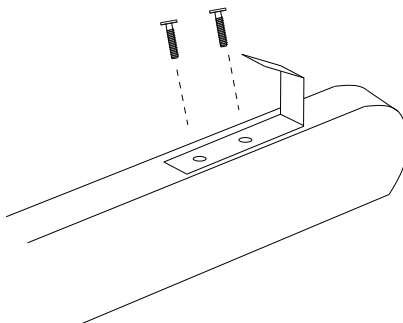


Hand tight (do not use battery screwdriver)

Fit the ladder hooks

You need: 4 x bolts 1.8cm, 2 x ladder hooks and 2 x pads

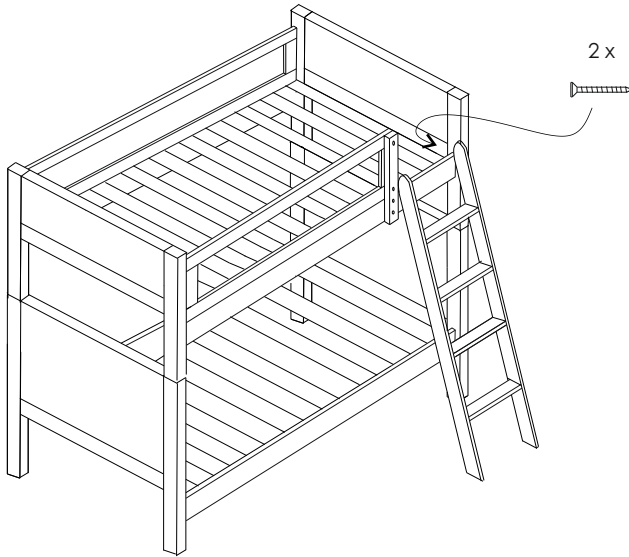
Orientate the 2 x hooks on the ladder and connect using the 4 x 1.8cm bolts. Now stick a pad onto the inside of the hook, this will protect the paintwork on your bed.



Fix the ladder to the bed

You need: 2 x 1.6cm screws

Fit the ladder into the bed entrance and screw the hooks to the bed rail.



Make two single beds (Convert the bunk)

Two people required.

Carefully remove the ladder, split the beds, remove the mattress bases and safety panels. Now switch one upper end with a lower end and tighten the bolts. Now fit the mattress bases to the beds.

The upper ends can be rotated to hide the double dowel holes, hiding the side holes on the legs from the inside of the bed.

Cover the lower bed leg holes that are on the top surface by inserting 4 x covers and fixing them into place using the 4 x 3.8cm screws complete with a ring on the screw, which will support the screw.

