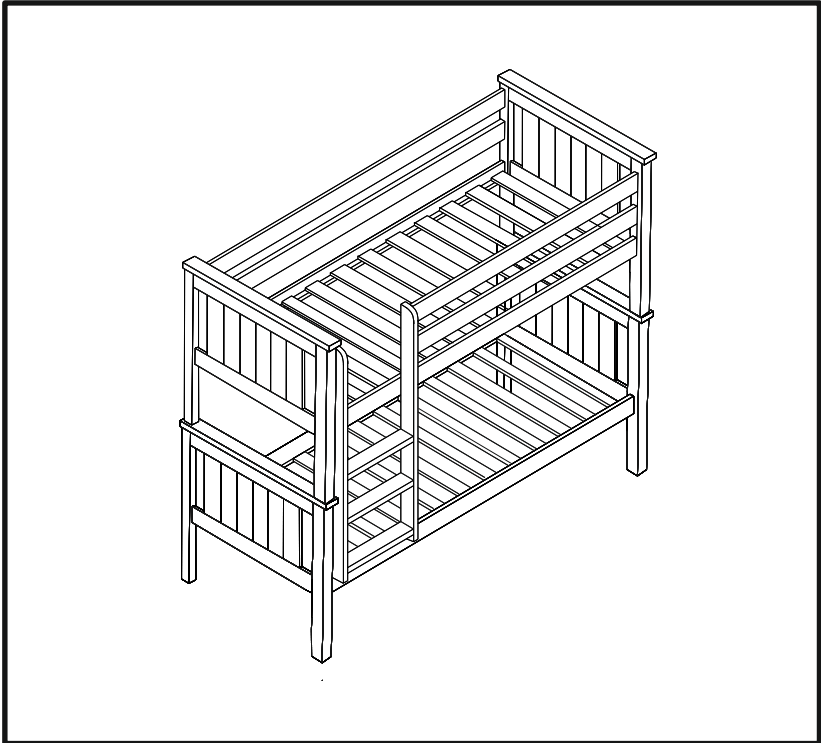


Little Folks

- FURNITURE -



Classic Bunk Bed

Code: BBD005

PLEASE READ CAREFULLY & KEEP FOR FUTURE REFERENCE

18052022

Thank you for buying a **Little Folks** piece of furniture

Treated properly it should be a faithful servant for years - and we hope you get the same amount of pleasure from it. Before you do

- please take a few minutes to read these instructions
- we suggest you carefully unpack everything, lay it out on a clean, flat floor and identify everything on the parts list in these instructions. Do not throw away any packaging until you are sure you have all the parts.

If you have any problems assembling the product please call our customer services on 01985 300588 and we will try and help. If for any reason you wish to return the product, you must disassemble the product and pack in the original packaging.

Taking care of your product

Your furniture should require no more than a regular dust off with a soft cloth. If the furniture is not painted then a superior wood polish can be used - but never use polishes containing silicone.

If necessary it can be cleaned with a damp cloth with a mild detergent solution - and then dried with a lint-free cloth. Never clean with abrasives or chemical cleaners.

Direct sunlight or heat from a radiator can stain, discolour warp or crack furniture.

We know furniture can be heavy but try not to drag furniture across the floor as this can damage it.

PRODUCT SAFETY

This product is designed to conform to BSEN747:1 2012

The MAXIMUM thickness of the UPPER BUNK mattress is 20cm.

The recommended size of the mattress is 191cm x 90cm (6'3" x 3'0)

Periodically check that all assembly fixings are tightened properly, care should be taken to ensure that no fittings are loose.

The furniture must be set up on an even and stable surface.

Keep away from direct sources of heat, such as electric, gas or coal fires.

Do not allow children to climb on the furniture. Using this furniture other than for its intended purpose could cause damage to the structure or serious injury to your child.

The Bunk should not be used if any structural part is broken or missing.

The upper Bunk is not suitable for children under six years old due to the risk of falls.

Do not attach items such as ropes, strings, cords, harnesses or belts etc to avoid the risk of strangulation.

WARNING: Children can become trapped between the bed and the wall. To avoid the risk of serious injury the distance between the top safety barrier and the wall must not exceed 75mm or be more than 230mm.

WARNING:

Hole covers Not suitable for children under 36 months due to choking hazard.

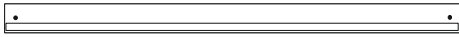
If you have any problems please do contact us for help on e mail customerservices@littlefolksfurniture.co.uk or phone our

CUSTOMER SERVICES 01985 300588

Parts



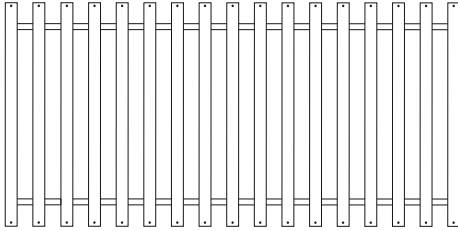
1 x upper front mattress rail(holes in rail)



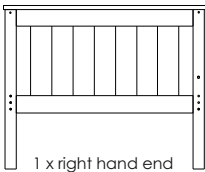
3 x mattress rails



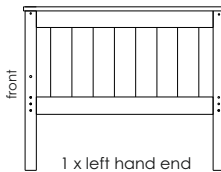
2 x long safety rails



2 x mattress base

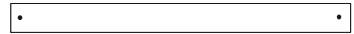


1 x right hand end



1 x left hand end

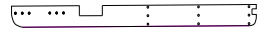
2 x lower ends



2 x front safety rails



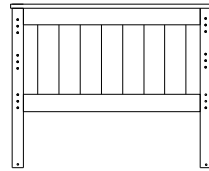
1 x right ladder string



1 x left ladder string



3 x ladder treads



2 x upper ends

Fittings

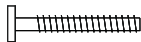
14 x 9cm Bolts



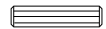
76 x Screws 3.5cm



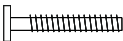
2 x 7cm Bolts



44 x small Dowels



2 x 6cm Bolts



4 x Large Dowels



1 x 3.5cm Bolts



2 x sleeve nuts



7 x 5cm screw bolts



4 x Hole covers

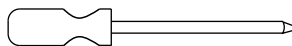


16 x Barrel Nuts

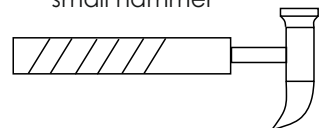


Tools Req

Screwdriver



small hammer



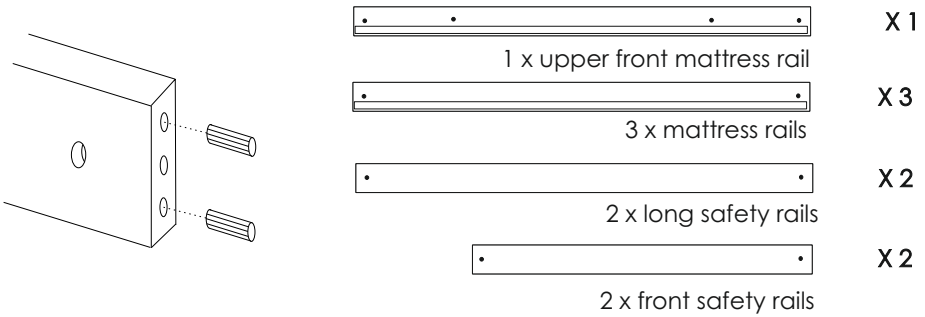
2 x Allen Key



Fitting the rails

32 x small wooden dowels

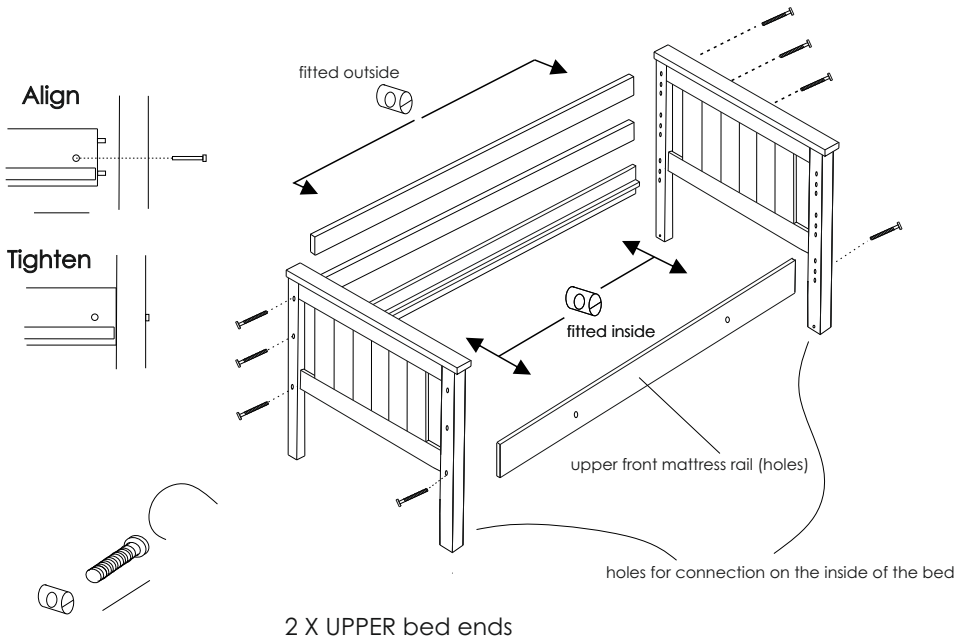
Insert 2 wooden dowels into each end of each rail. Gently tap dowels inwards until firmly in place.



Building the UPPER bed frame (Two people)

8 x 9cm bolts and 8 x barrel nuts

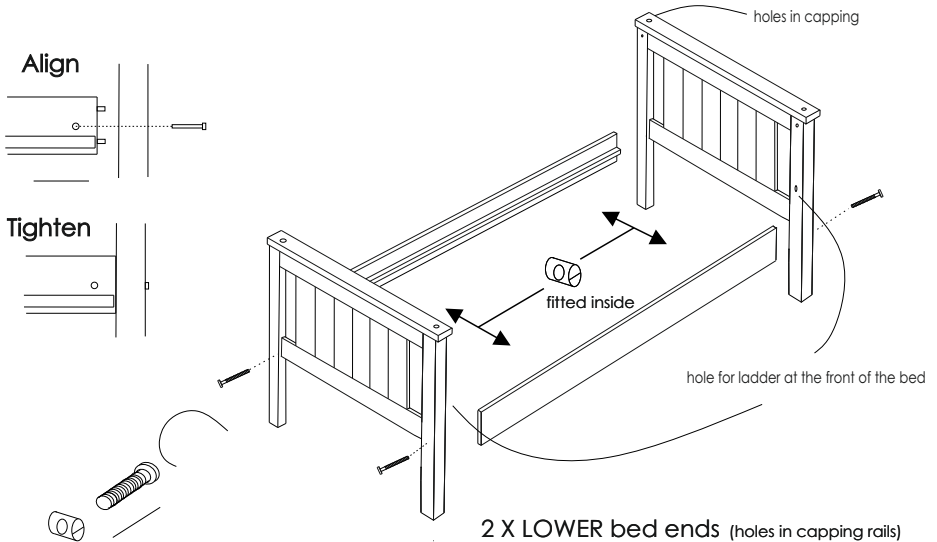
Build the bed with the parts positioned as shown, Align the wooden dowels (fitted in rails) into the holes on the two upper bed ends. Insert a barrel nut into the hole at each end of the rails, allowing it to connect to a long bolt fitted from the outside, rotate to tighten the bed frame



Building the LOWER bed frame (Two people)

4 x 9cm bolts and 4 x barrel nuts

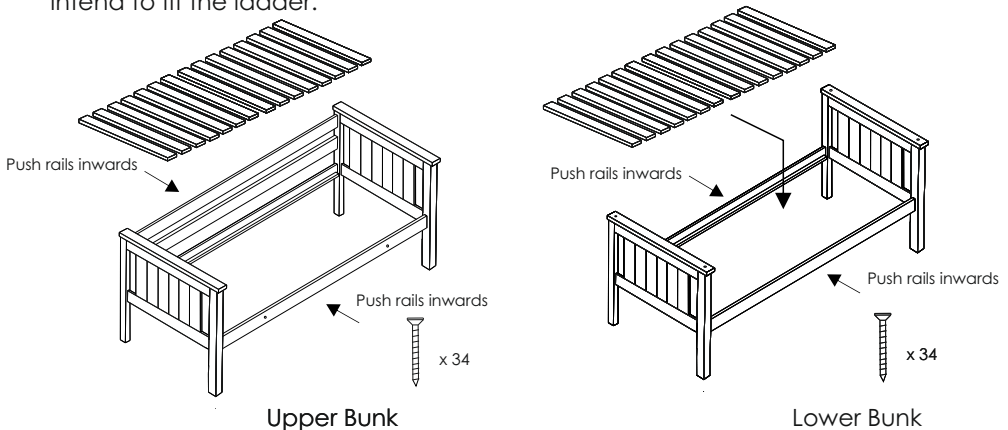
Build the bed with the parts positioned as shown, Aligning the wooden dowels into the holes on the two upper bed ends. Insert a barrel nut into the hole at each end of the rails, allowing it to connect to a long bolt fitted from the outside, rotate to tighten the bed frame



Fix the mattress bases (Two people)

68 x wood screws

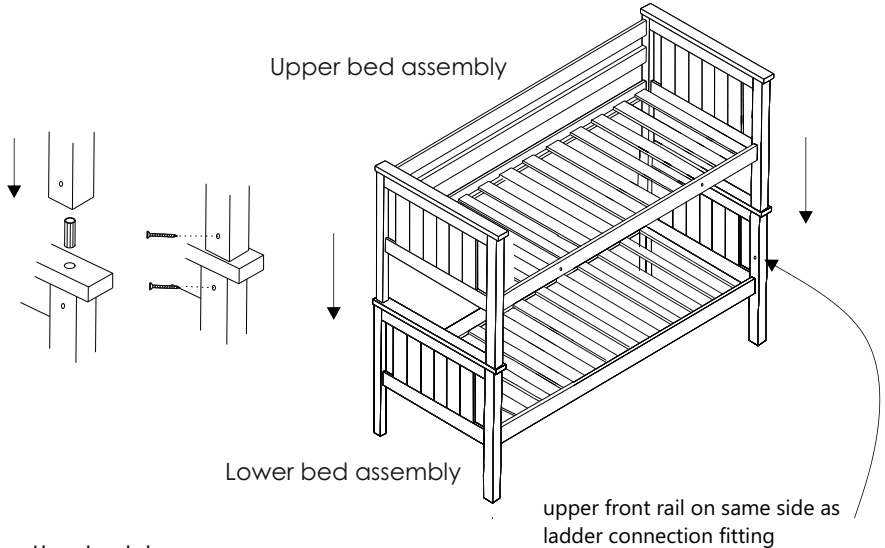
Gently lay each mattress base out onto the support rails fitted to the inside of the bed. (IMPORTANT) Stretch the bases out so that the end slats are tight to the bed end frame legs. Now screw down every mattress slat making sure the bed rails remains parallel (some gentle inwards pressure on the mattress rails may be required). Note; Upper bed = do not fix the last four bed slats on the end you intend to fit the ladder.



Make the bunk (two people)

4 x large wooden dowels and 8 x wood screws

Fit 4 x large wooden dowels into the top of the lower bed (holes in the capping rail of the lower bed). Lift the upper bed onto the lower bed aligning the upper bed onto the dowels. Once the bed frames are firmly together, connect using the 8 x wood screws.



Make the ladder

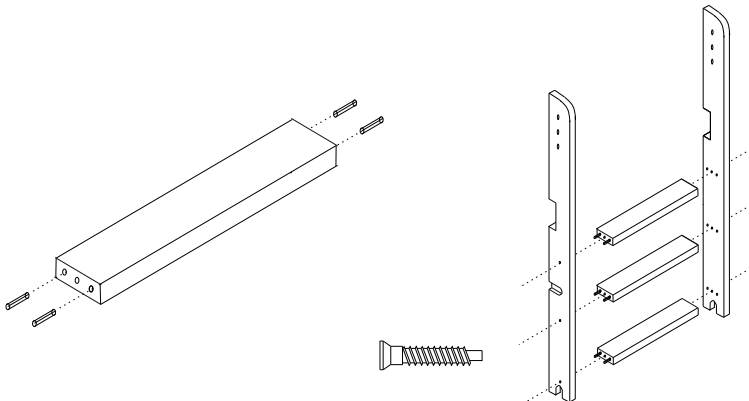
6 x 5cm screw bolts and 12 wooden dowels

Insert 12 wooden dowels into the 3 x ladder treads, 2 each end, tap down each dowel until firmly in place.

Align the 3 treads to match the holes in the two ladder strings, as seen.

Now press the parts together to form the ladder frame, inserting the screw bolts from the outside.

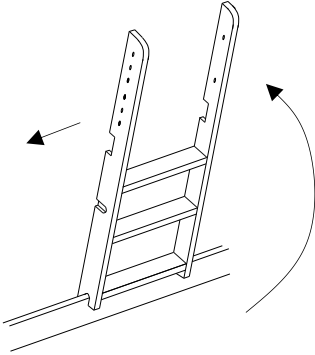
Tighten using the allen key



Fit the ladder

loosen the both the upper and lower front mattress rails as this will assist the fitting of the front safety rails.

Ladder on left illustrated first followed by ladder on right. (in two pages)



Rotate the ladder

Gently engage the ladder notches over the lower mattress rail and then push the left-hand ladder string up against the bed legs.

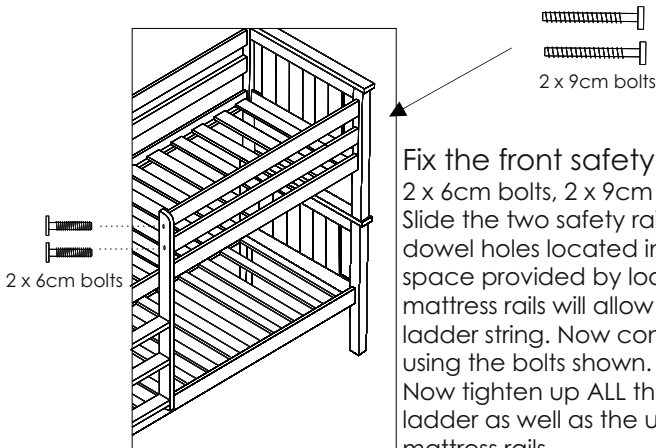
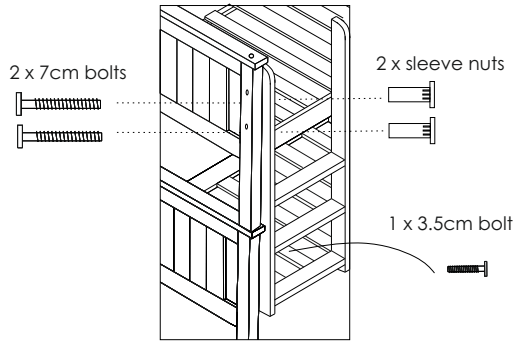
Connect the ladder string

2 x 7cm bolts, 2 x sleeve nuts and 1 x 3.5cm bolt

Fix the ladder string to the bed legs using 2 x 7cm bolts and 2 x sleeve nuts (note that the sleeve nuts can be a tight fit so a gentle tap with the hammer may help).

Connect the ladder to the lower bed leg using the 3.5cm bolt

This can be a bit fiddly so do not tighten up the upper fixings until you have connected the lower 35mm bolt. Leave ALL fittings LOOSE.



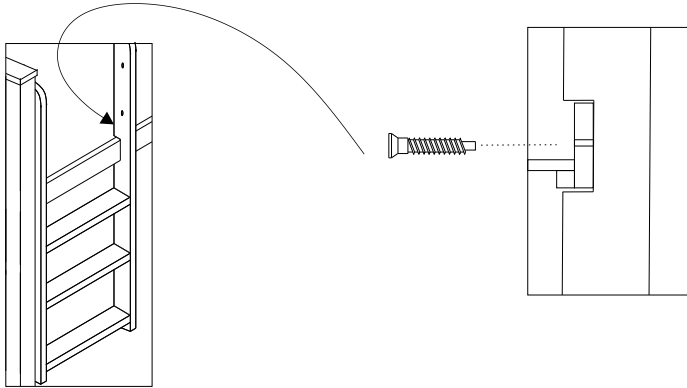
Fix the front safety rails

2 x 6cm bolts, 2 x 9cm bolts and 4 x barrel nuts
Slide the two safety rails into the wooden dowel holes located in the bed ends. The space provided by loosening the front mattress rails will allow the dowels to pass the ladder string. Now connect the two safety rails using the bolts shown.

Now tighten up ALL the fittings around the ladder as well as the upper and lower front mattress rails.

Secure the ladder

Connect the right-hand ladder string to the mattress rail using a 5cm screw bolt from the inside. Move the mattress slats to allow access to bolt. Now fix the four mattress slats in place using the remaining wood screws.

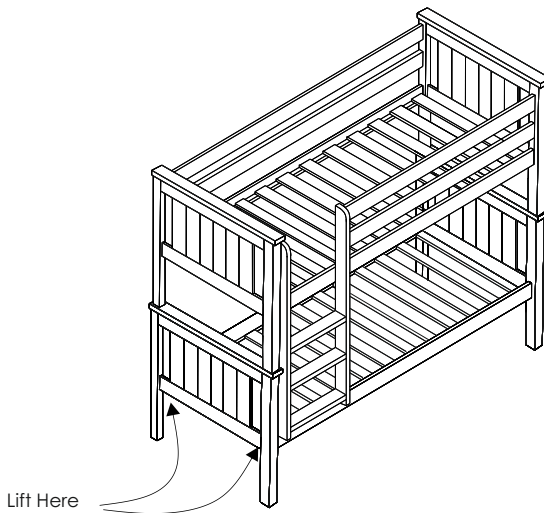


Position the bunk

Carefully lift the bunk bed into place by supporting the lower bed ends (Two people)

Lift the mattresses upon the sleeping surfaces

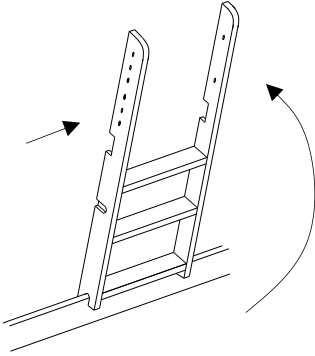
Note that the upper mattress MAXIMUM thickness at 20cm



Please take a few minutes to look over the bunk bed to ensure that ALL the fittings are securely fastened and the product is stable.

Fitting the ladder on the right.

Loosen the both the upper and lower front mattress rails as this will assist the fitting of the front safety rails.



Rotate the ladder

Gently engage the ladder notches over the lower mattress rail and then push the right-hand ladder string up against the bed leg.

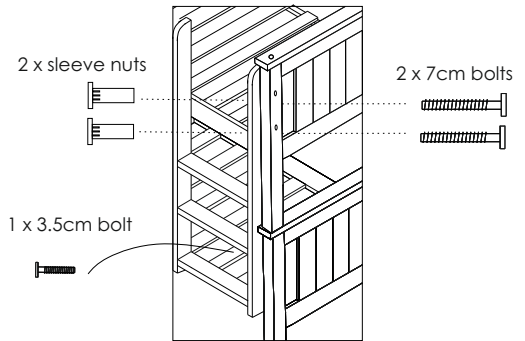
Connect the ladder string

2 x 7cm bolts, 2 x sleeve nuts and 1 x 3.5cm bolt

Fix the ladder string to the bed legs using 2 x 7cm bolts and 2 x sleeve nuts (note that the sleeve nuts can be a tight fit so a gentle tap with the hammer may help).

Connect the ladder to the lower bed leg using the 3.5cm bolt

This can be a bit fiddly so do not tighten up the upper fixings until you have connected the lower 35mm bolt. Leave ALL fittings LOOSE.

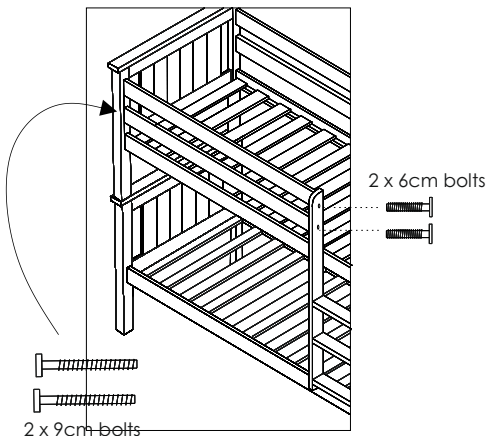


Fix the front safety rails

2 x 6cm bolts, 2 x 9cm bolts and 4 x barrel nuts

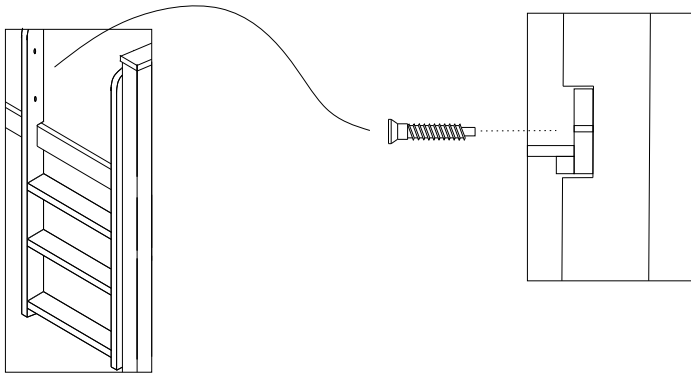
Slide the two safety rails into the wooden dowel holes located in the bed ends. The space provided by loosening the front mattress rails will allow the dowels to pass the ladder string. Now connect the two safety rails using the bolts shown.

Now tighten up ALL the fittings around the ladder as well as the upper and lower front mattress rails.



Secure the ladder

Connect the left-hand ladder string to the mattress rail using a 5cm screw bolt from the inside. Move the mattress slats to allow access to bolt. Now fix the four mattress slats in place using the remaining wood screws.

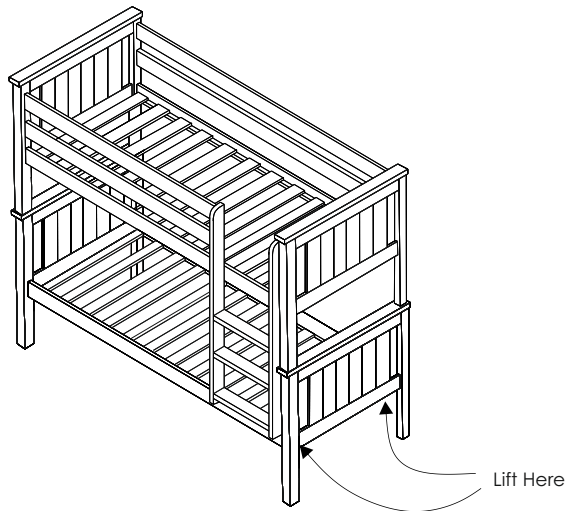


Position the bunk

Carefully lift the bunk bed into place by supporting the lower bed ends (Two people)

Lift the mattresses upon the sleeping surfaces

Note that the upper mattress MAXIMUM thickness at 20cm



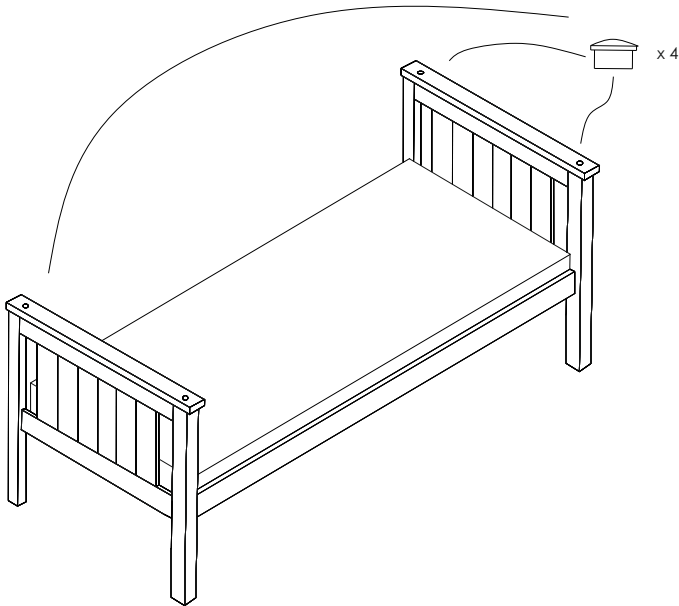
Please take a few minutes to look over the bunk bed to ensure that ALL the fittings are securely fastened and the product is stable.

Make two single beds (Convert the bunk)

Two people required.

Carefully remove the ladder and front safety rails. Now remove the wood screws that hold the two bunks together and gently lift the upper bunk off the lower bunk, placing on the floor. Remove the rear safety rails from the bed frame if you so wish. Remove the large wooden dowels from the capping rails. You have the option to cover these holes using the 4 x hole covers supplied.

Warning; We do not recommend that these hole covers are accessible to small children of 36 months and under.



Please take a few minutes to look over the bunk bed to ensure that the fittings are securely fastened and the product is stable.

Please keep any removed parts and fittings in a safe place for future use.